

4

3

2

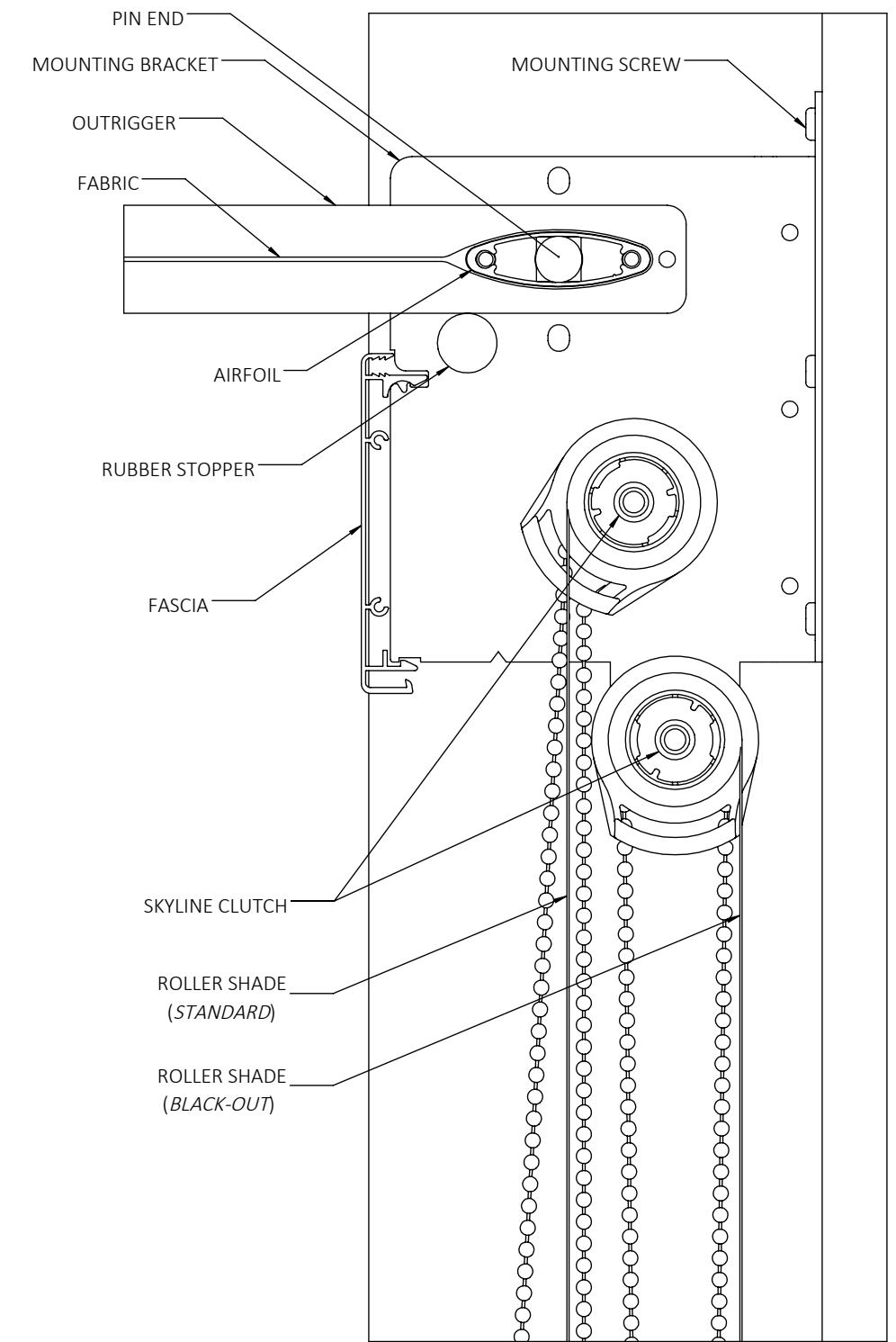
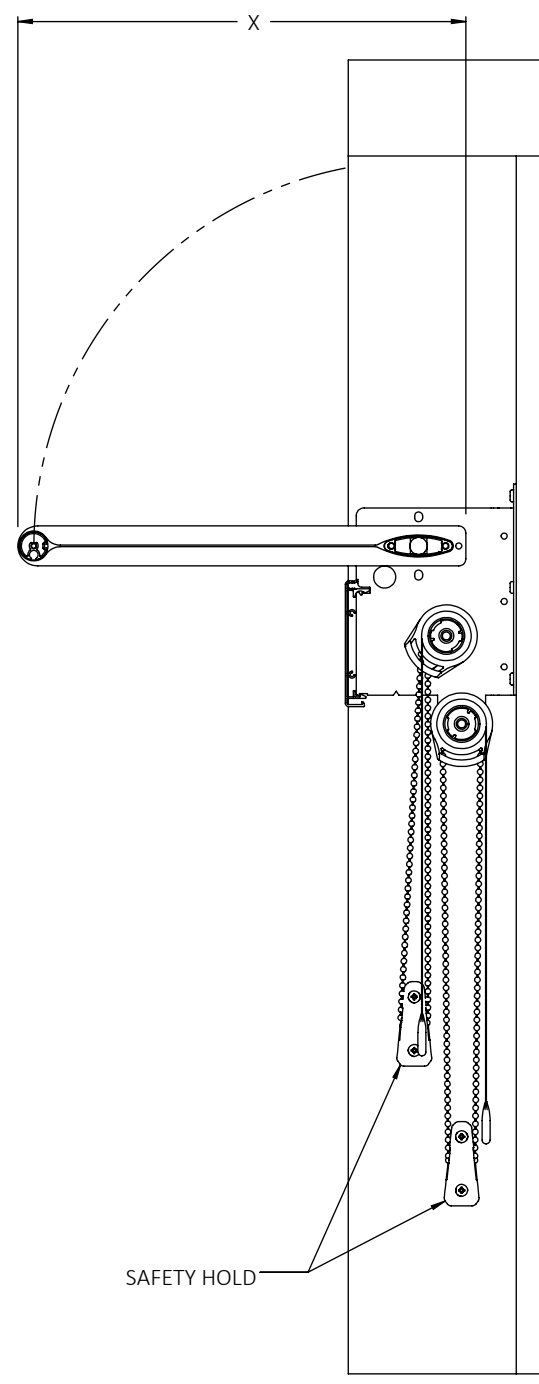
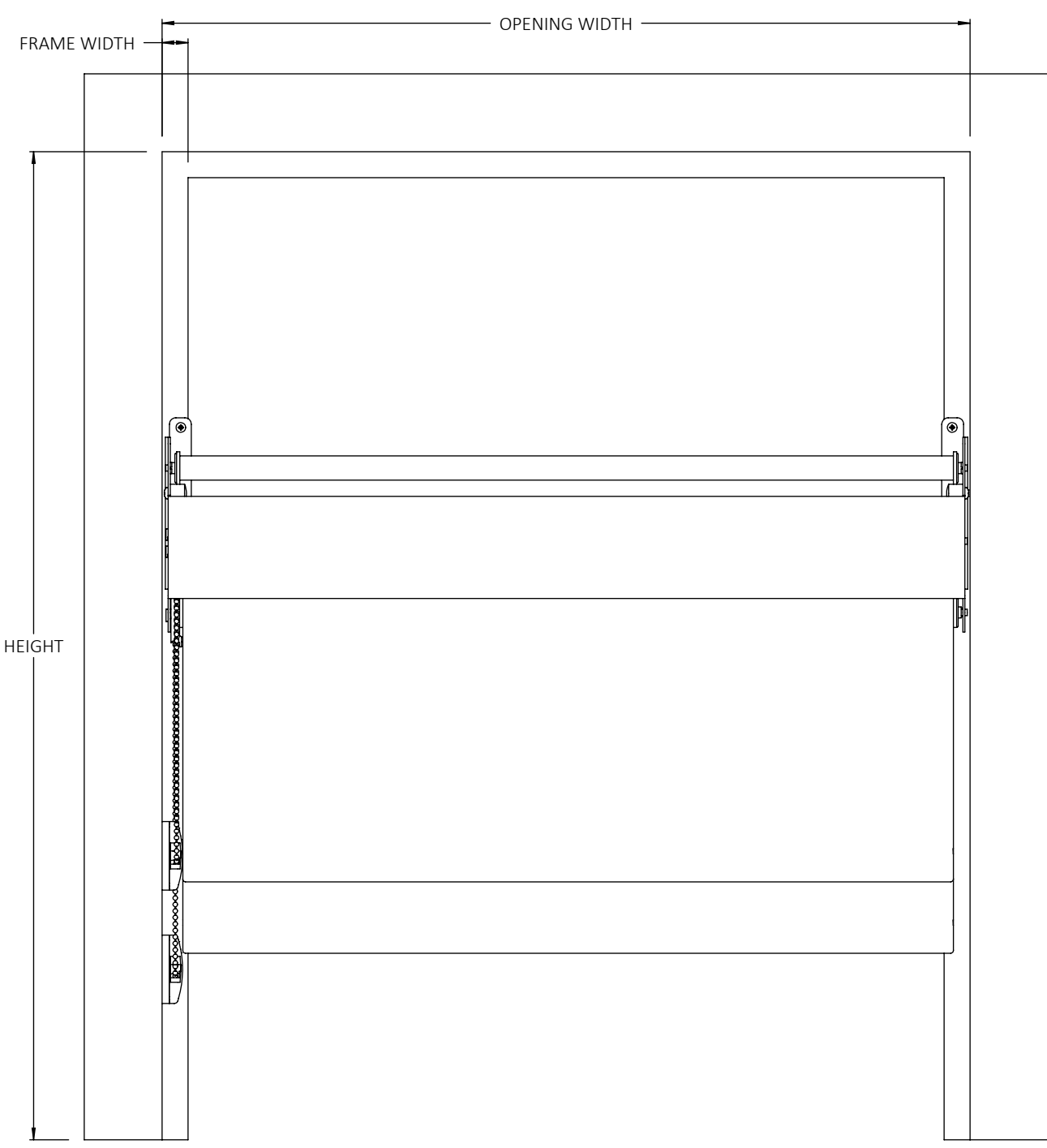
1

B

B


A

A



- NOTES:
1. SHADE MAY BE MOUNTED ON THE JAMB (*INSIDE MOUNT*) OR FACE OF FRAME/MULLION (*FACE MOUNT*)
 2. STANDARD LIGHT SHELF DEPTH IS 16"
- PLEASE SPECIFY IF ALTERNATE DEPTH IS REQUIRED _____ (*DIMENSION "X"*)
 3. MINIMUM HEIGHT OF LOWEST LIGHTSHELF IS 80" ABOVE FINISHED FLOOR

SOLIDWORKS Student Edition.
For Academic Use Only.

 WILLIAMSPORT, PA 570.651.5105 WWW.INDOOR-SKY.COM	UNLESS OTHERWISE SPECIFIED: DIMENSIONS ARE IN INCHES TOLERANCES: ANGULAR: ±.5° FRACTIONAL: $\frac{1}{16}$ X ± .015 XX ± .010" XXX ± .005"		TITLE: D-SERIES STANDARD DETAIL	
	SIZE B	DWG. NO.	REV	SCALE: 1:6
DRAWN BY M.HORNER				

4

3

2

1