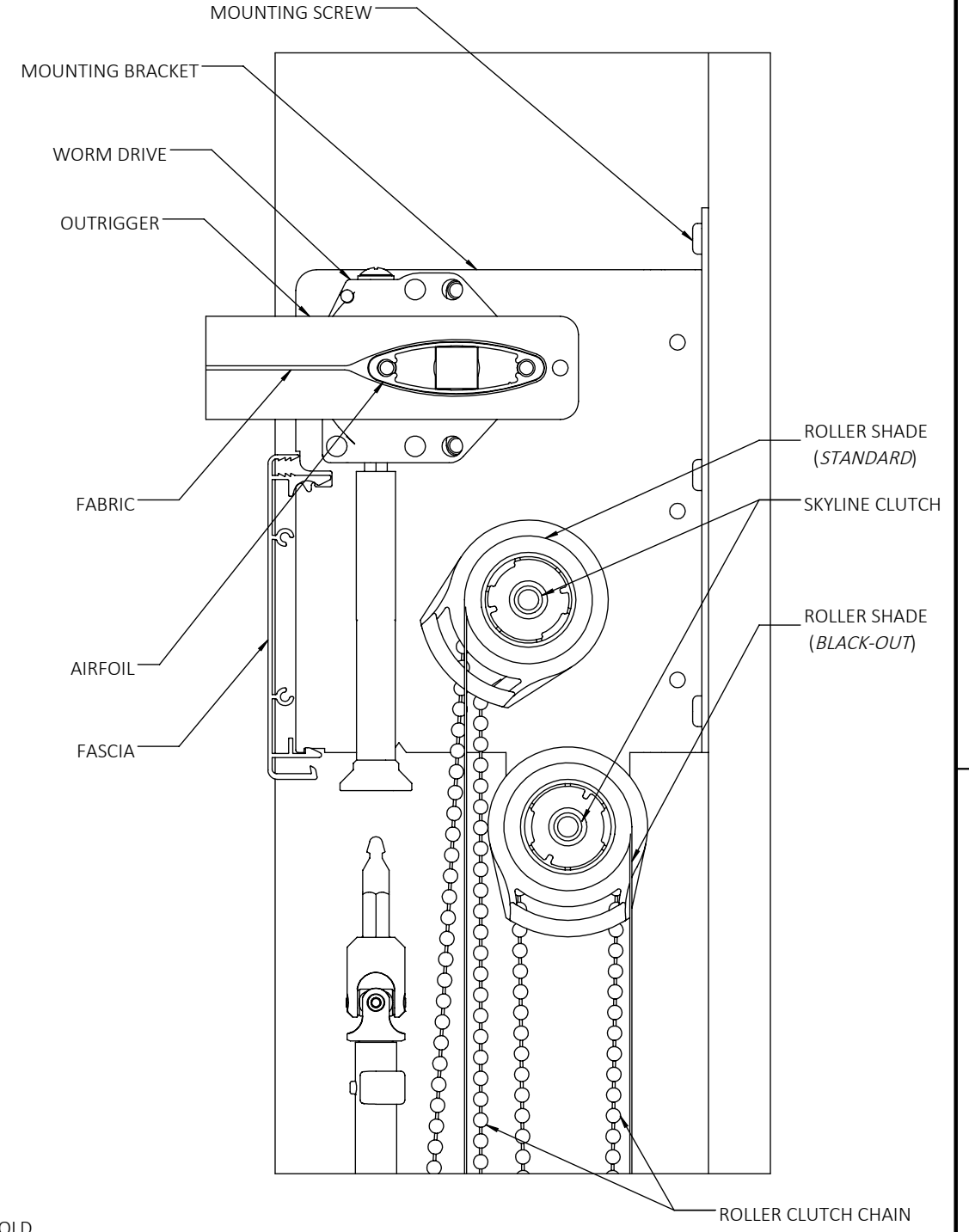
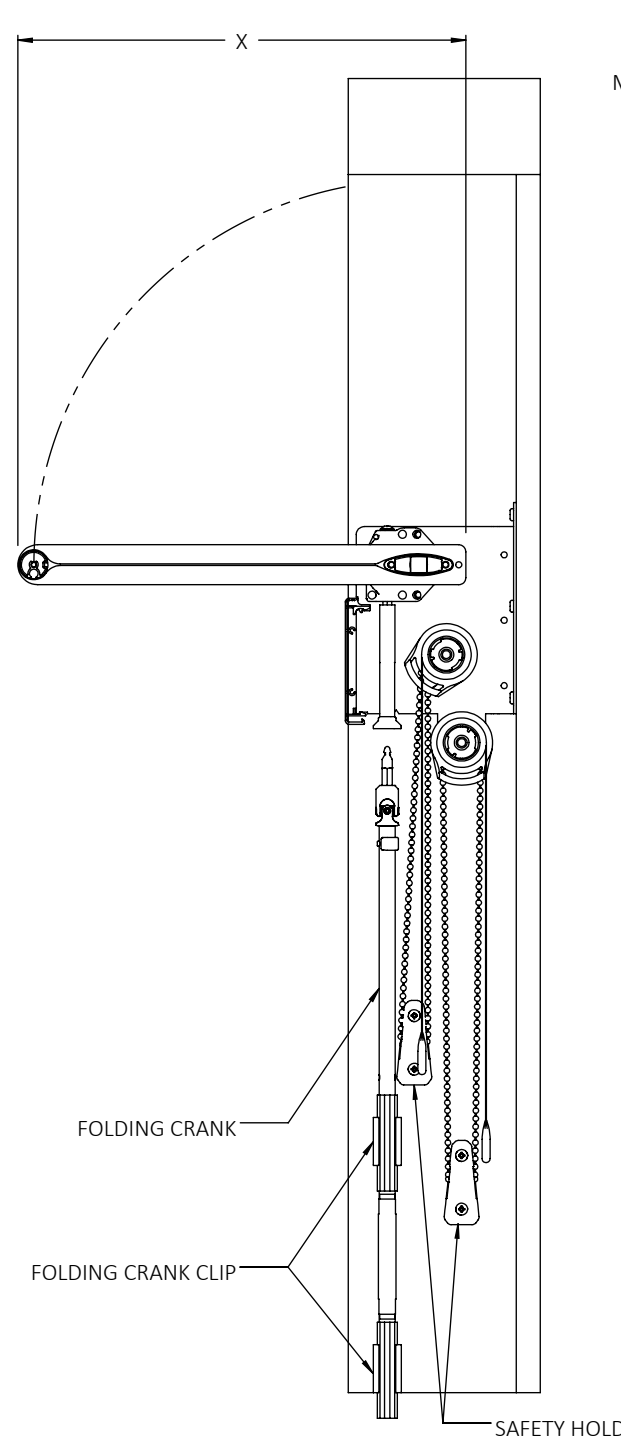
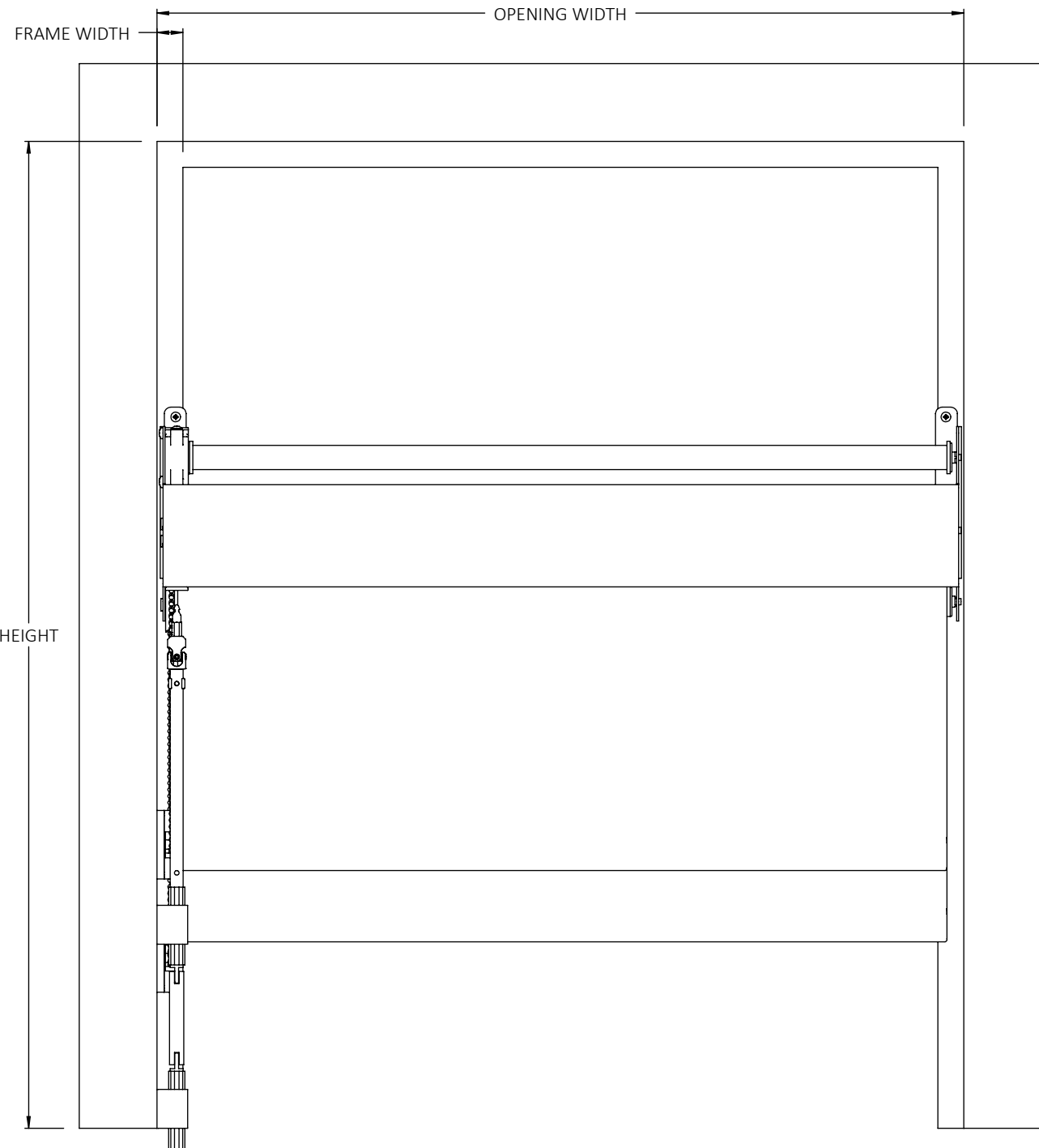


4

3

2

1



NOTES:

- 1. SHADE MAY BE MOUNTED ON THE JAMB (*INSIDE MOUNT*) OR FACE OF FRAME/MULLION (*FACE MOUNT*)
- 2. STANDARD LIGHT SHELF DEPTH IS 16"  
- PLEASE SPECIFY IF ALTERNATE DEPTH IS REQUIRED \_\_\_\_\_ (*DIMENSION "X"*)
- 3. MINIMUM HEIGHT OF LOWEST LIGHTSHELF IS 80" ABOVE FINISHED FLOOR

**SOLIDWORKS Student Edition.**  
**For Academic Use Only.**



WILLIAMSPORT, PA  
 570.651.5105  
 WWW.INDOOR-SKY.COM

UNLESS OTHERWISE SPECIFIED:  
 DIMENSIONS ARE IN INCHES

TOLERANCES:  
 ANGULAR:  $\pm .5^\circ$   
 FRACTIONAL:  $\pm \frac{1}{16}$   
 X  $\pm .015$   
 XX  $\pm .010$ "  
 XXX  $\pm .005$ "

TITLE:  
**DW STANDARD DETAIL**

SIZE	DWG. NO.	REV
B		

DRAWN BY	M.HORNER	SCALE: 1:6	SHEET 1 OF 1
----------	----------	------------	--------------

4

3

2

1