

4

3

2

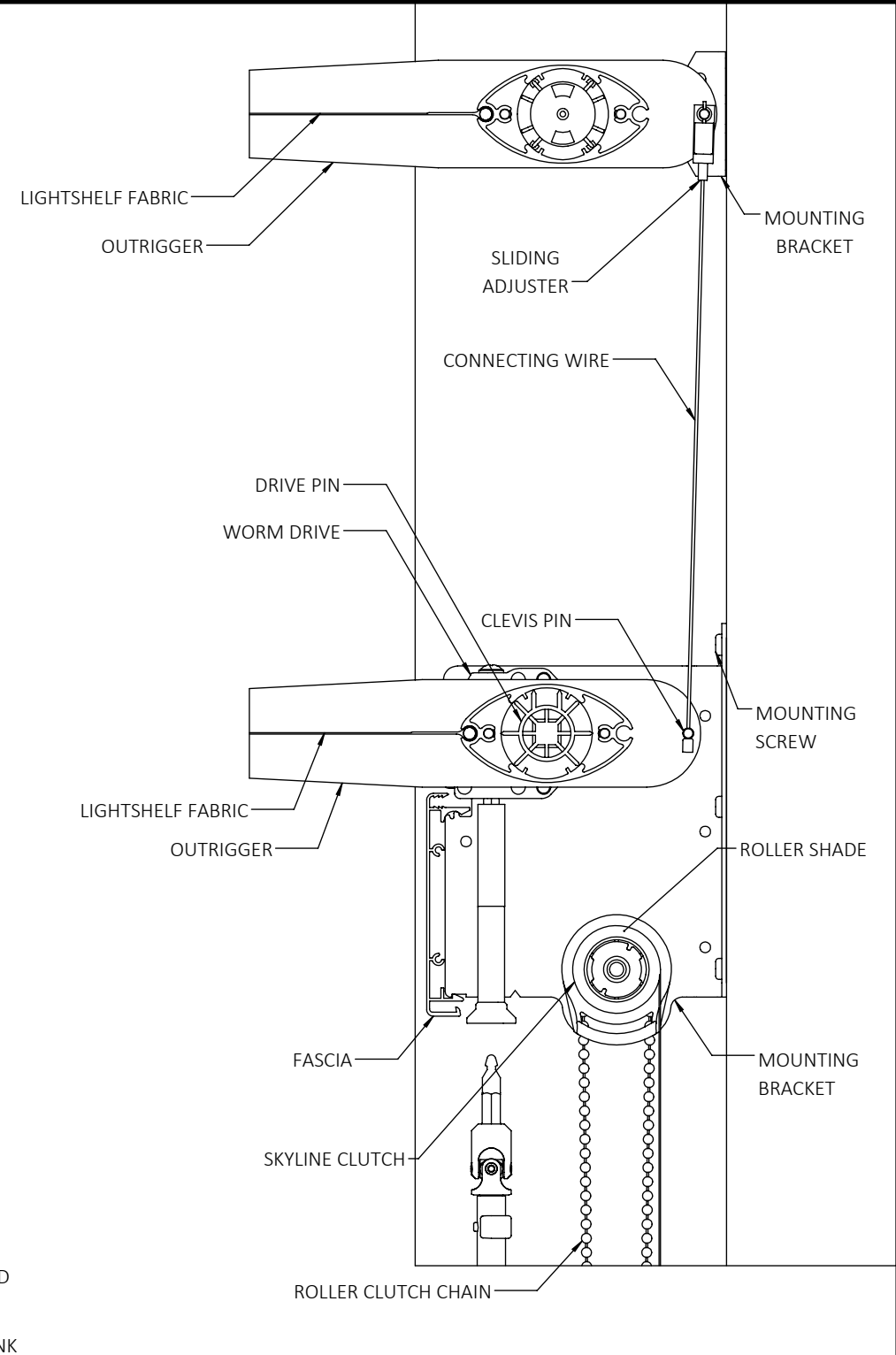
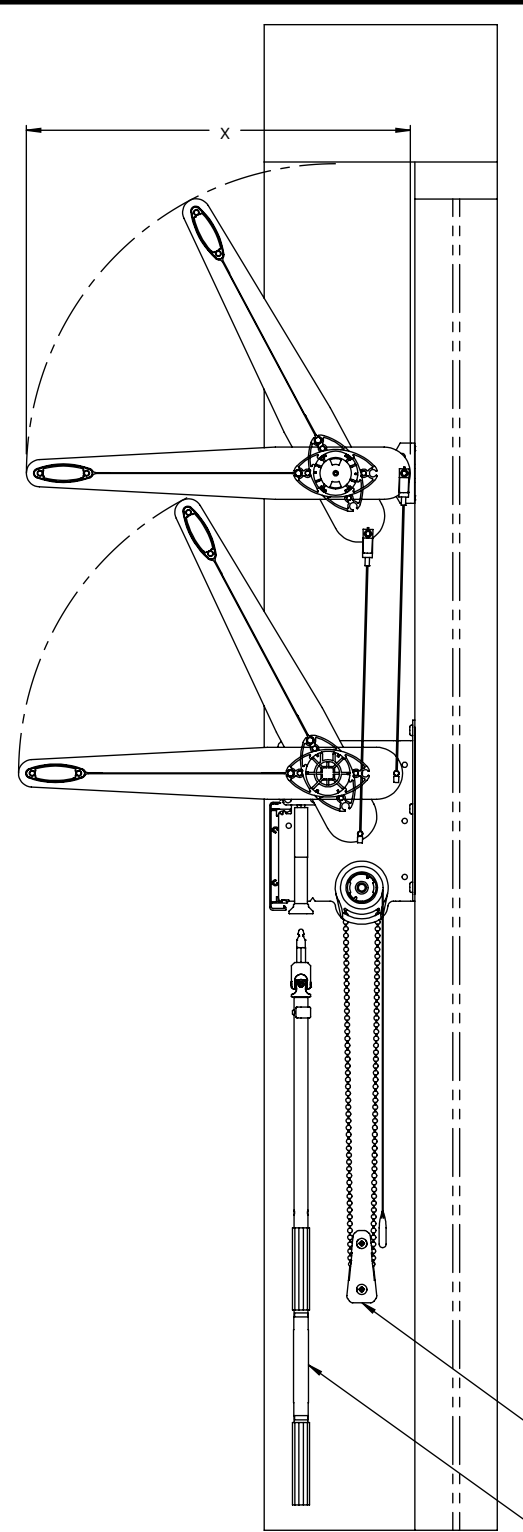
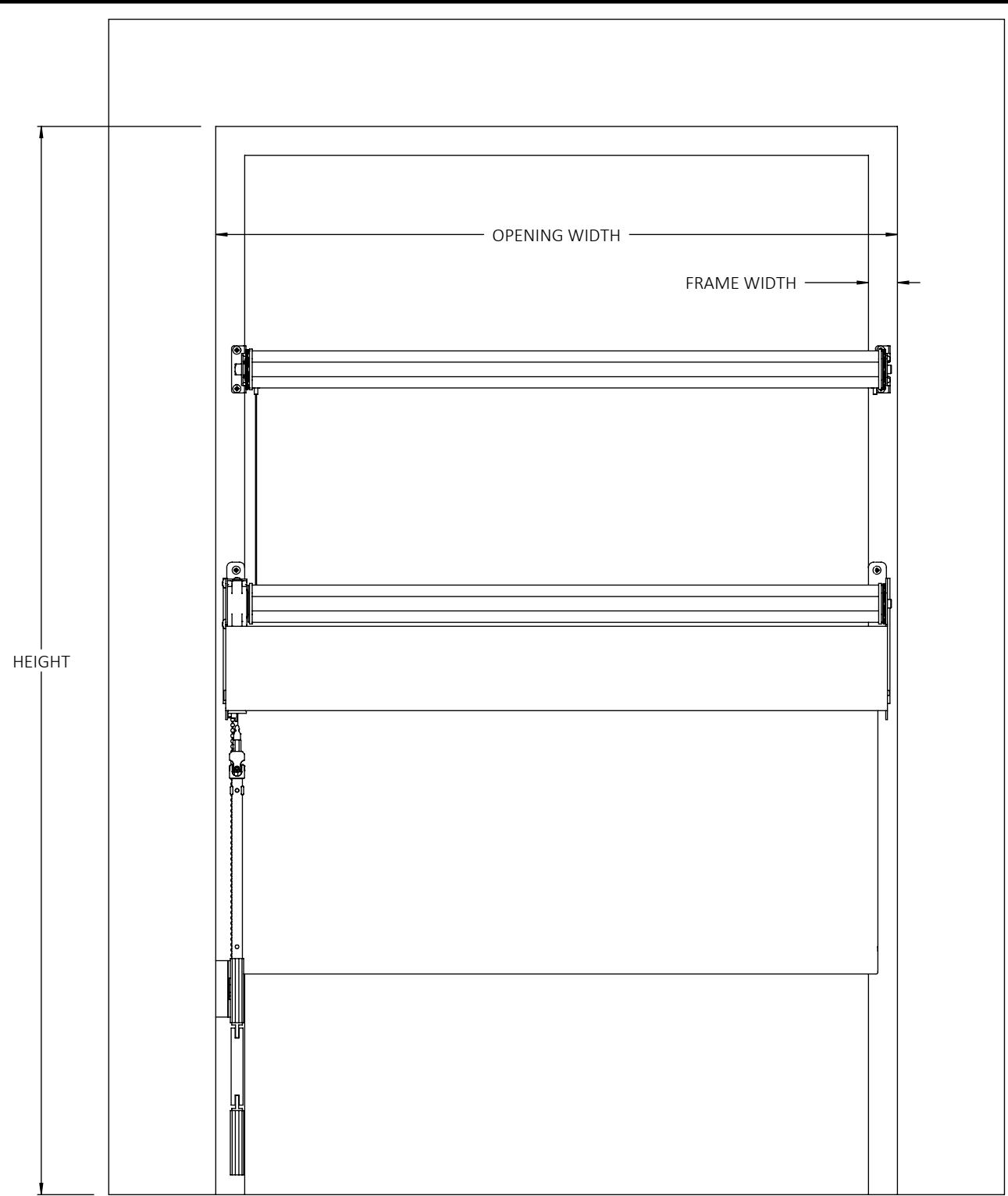
1

B

B

A

A



NOTES:

- 1. SHADE MAY BE MOUNTED ON THE JAMB (*INSIDE MOUNT*) OR FACE OF FRAME/MULLION (*FACE MOUNT*)
- 2. NUMBER OF LIGHTSHELVES _____
- 3. STANDARD LIGHTSHELF DEPTH IS 16"
- PLEASE SPECIFY IF ALTERNATE DEPTH IS REQUIRED _____ (*DIMENSION "X"*)
- 4. MINIMUM HEIGHT OF LOWEST LIGHTSHELF IS 80" ABOVE FINISHED FLOOR
- 5. CRANK MAY BE SUPPLIED LOOSE FOR USE ON MULTIPLE WINDOWS



WILLIAMSPORT, PA
570.651.5105
WWW.INDOOR-SKY.COM

UNLESS OTHERWISE SPECIFIED:
DIMENSIONS ARE IN INCHES

TOLERANCES:
ANGULAR: $\pm 5^\circ$
FRACTIONAL: $\pm \frac{1}{16}$
X $\pm .015$
XX $\pm .010$ "
XXX $\pm .005$ "

TITLE:

L-SERIES STANDARD DETAIL

SIZE	DWG. NO.	REV
B		

DRAWN BY	M.HORNER	SCALE: 1:16	SHEET 1 OF 1
----------	----------	-------------	--------------

4

3

2

1