

4

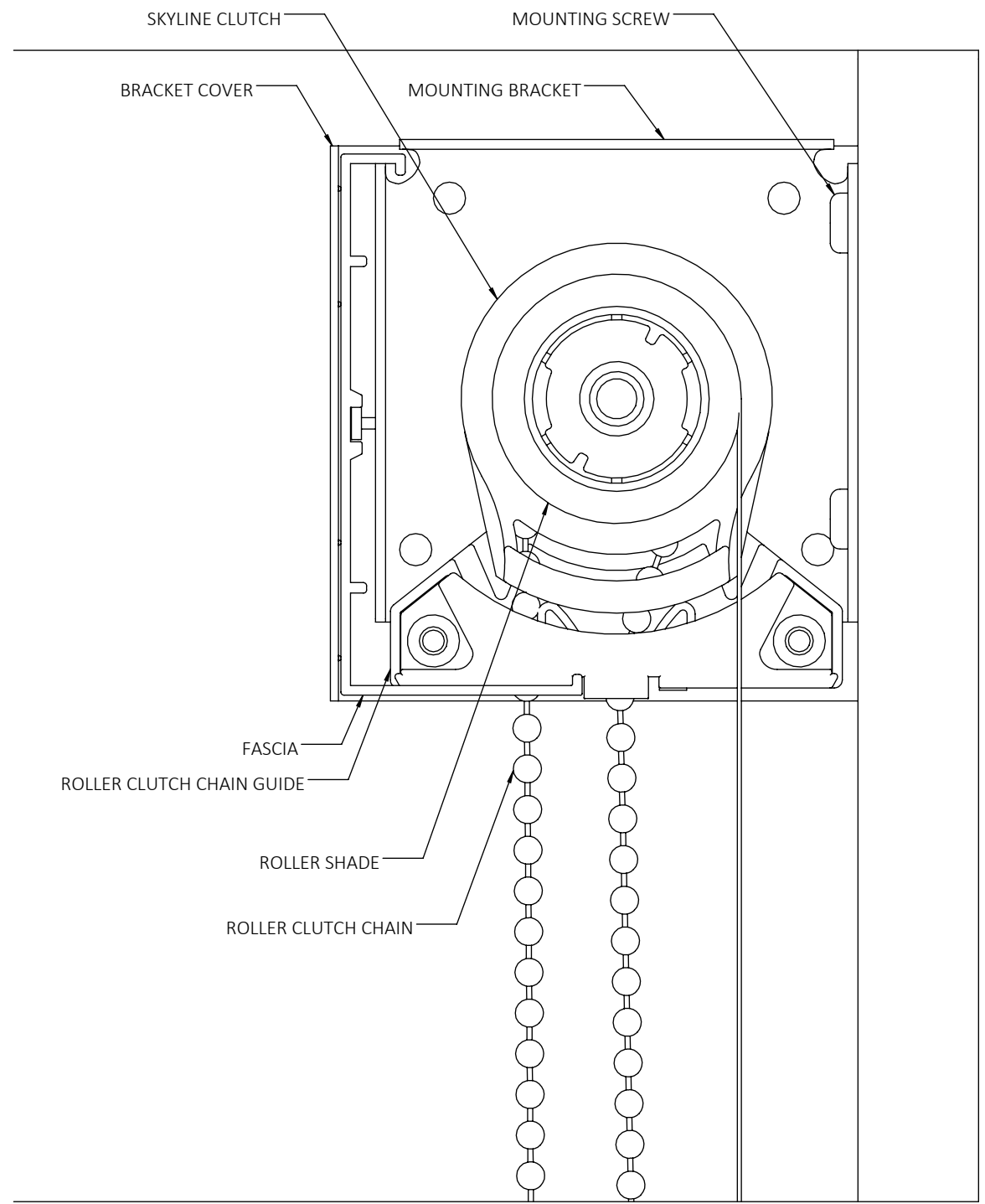
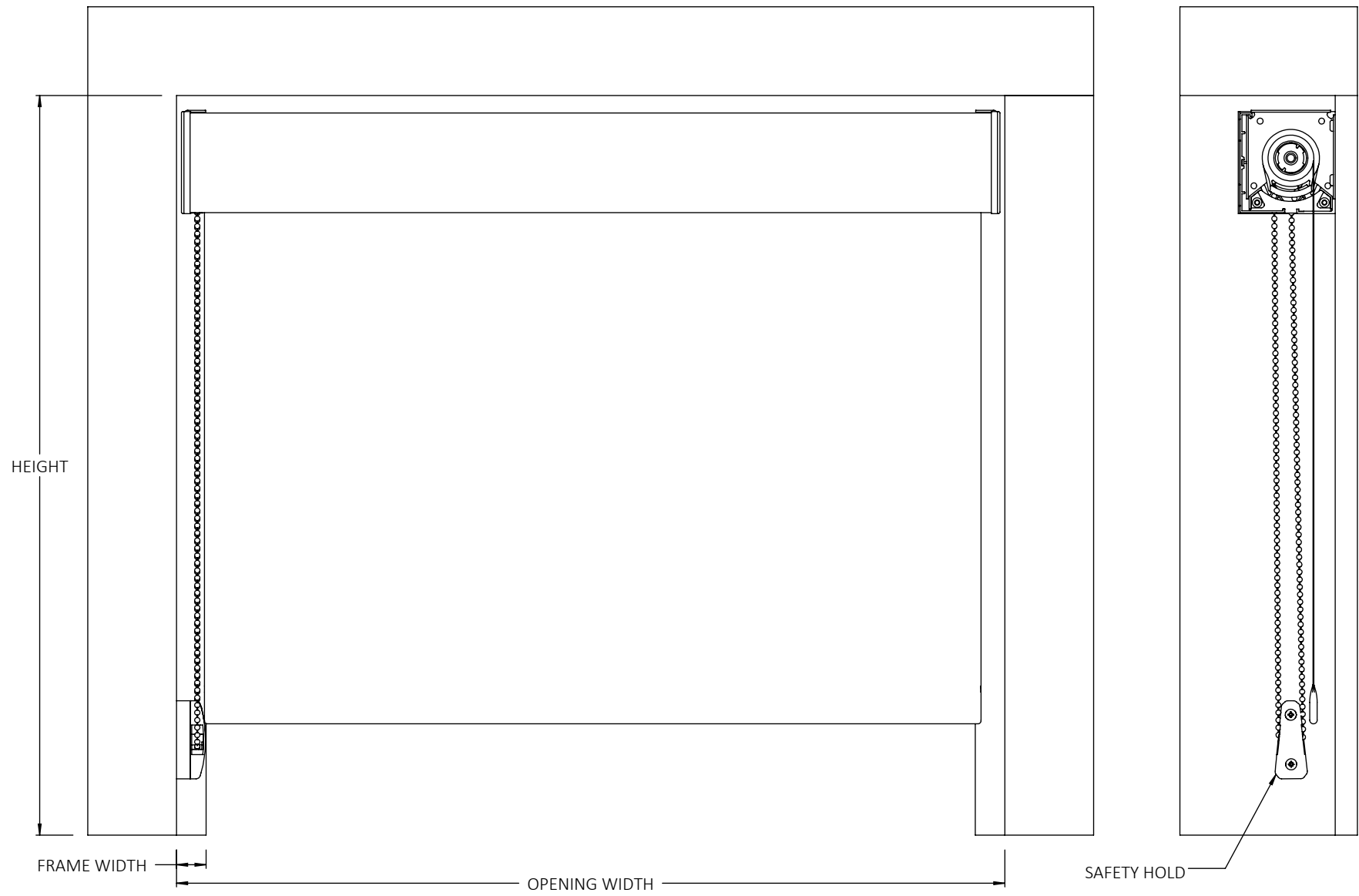
3

2

1

B

B



A

A

NOTES:

1. SHADE MAY BE MOUNTED ON THE JAMB (INSIDE MOUNT) OR FACE OF FRAME/MULLION (FACE MOUNT)

**SOLIDWORKS Student Edition.
For Academic Use Only.**



WILLIAMSPORT, PA
570.651.5105
WWW.INDOOR-SKY.COM

UNLESS OTHERWISE SPECIFIED:
DIMENSIONS ARE IN INCHES

TOLERANCES:
ANGULAR: ±.5°
FRACTIONAL: $\pm \frac{1}{16}$
X ± .015
XX ± .010"
XXX ± .005"

TITLE:
**3" SKYLINE
STANDARD DETAIL**

SIZE	DWG. NO.	REV
B		
DRAWN BY	M.HORNER	
SCALE: 1:5		SHEET 1 OF 1

4

3

2

1