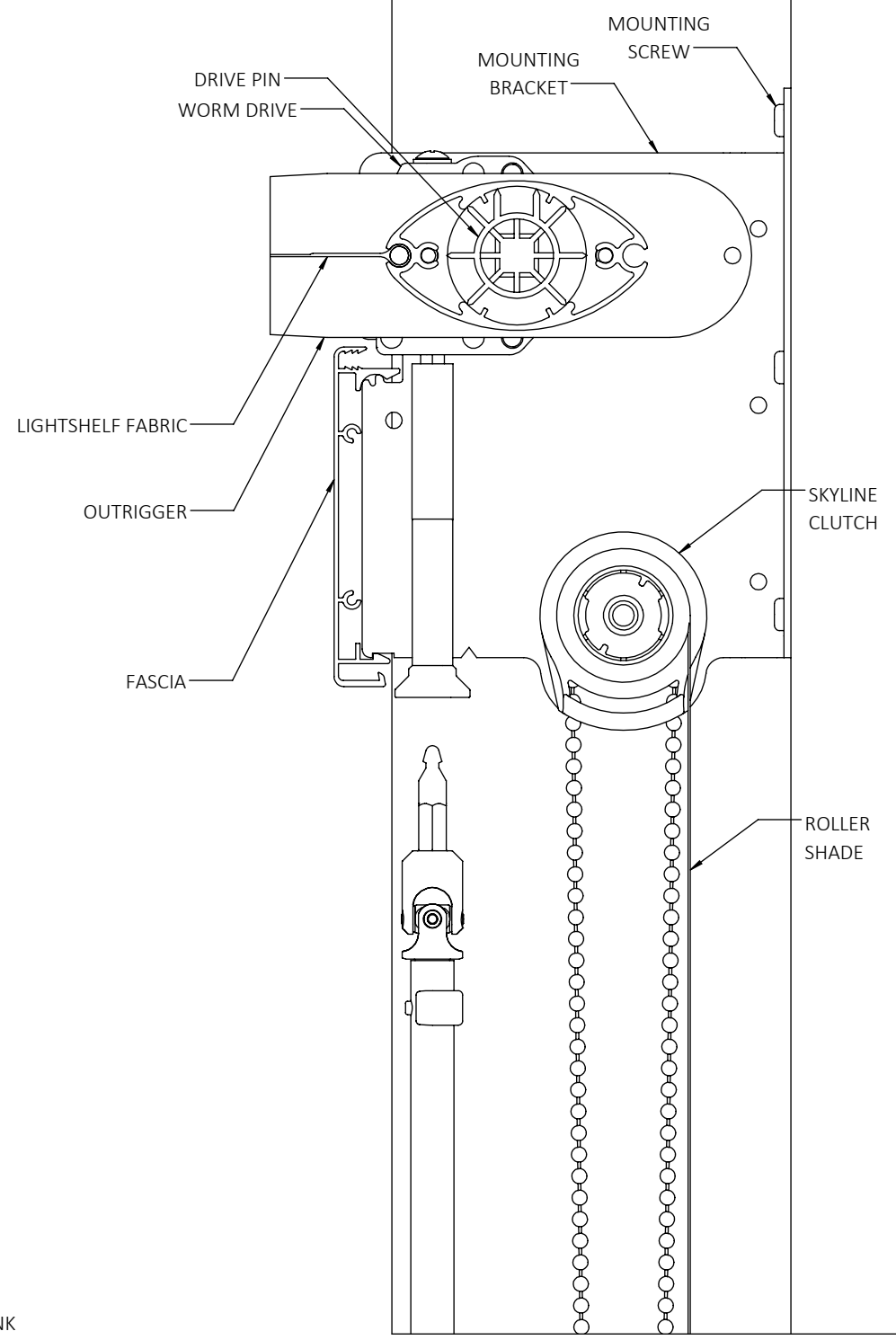
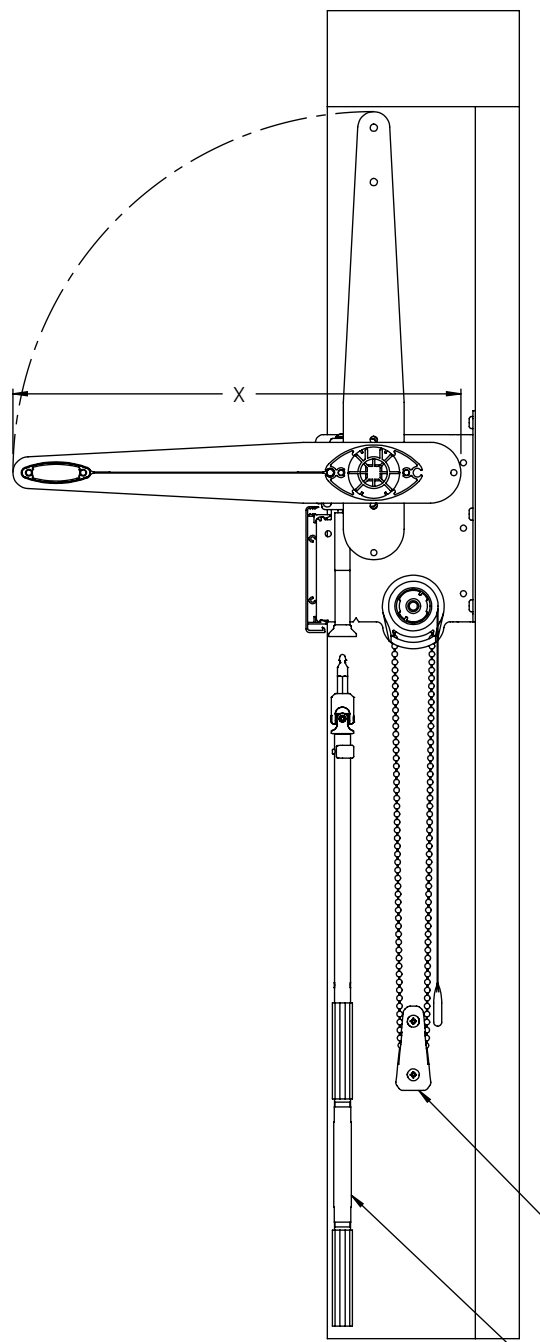
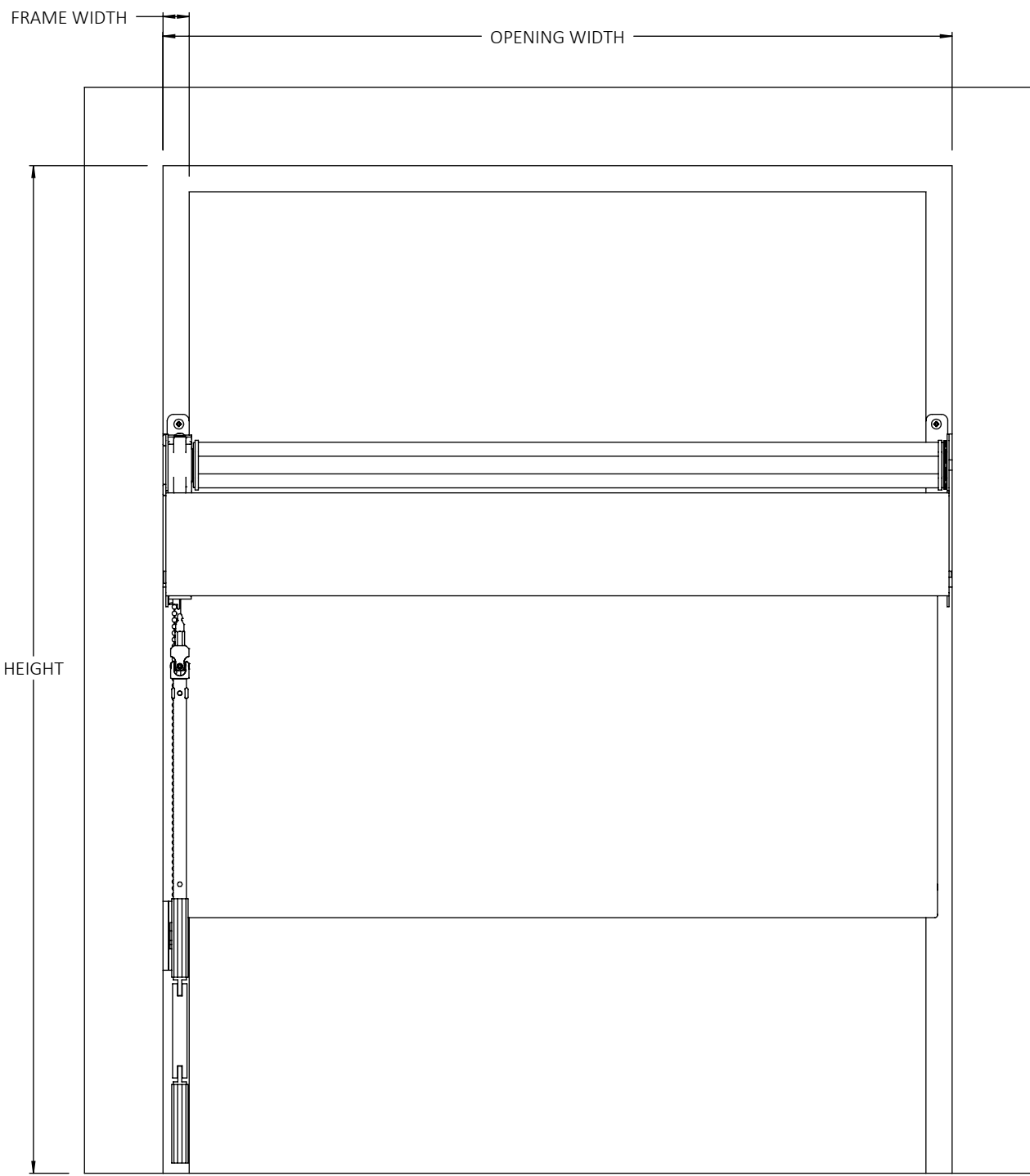


4

3

2

1



B

B

A

A

NOTES:

- 1. SHADE MAY BE MOUNTED ON THE JAMB (*INSIDE MOUNT*) OR FACE OF FRAME/MULLION (*FACE MOUNT*)
- 2. STANDARD LIGHT SHELF DEPTH IS 16"  
- PLEASE SPECIFY IF ALTERNATE DEPTH IS REQUIRED \_\_\_\_\_ (*DIMENSION "X"*)
- 3. MINIMUM HEIGHT OF LOWEST LIGHTSHELF IS 80" ABOVE FINISHED FLOOR
- 4. CRANK IS DETACHABLE FOR USE ON MULTIPLE WINDOWS



WILLIAMSPORT, PA  
570.651.5105  
WWW.INDOOR-SKY.COM

UNLESS OTHERWISE SPECIFIED:  
DIMENSIONS ARE IN INCHES

TOLERANCES:  
ANGULAR: ±.5°  
FRACTIONAL: ± 1/16  
X ± .015  
XX ± .010"  
XXX ± .005"

TITLE:

SW STANDARD DETAIL

SIZE	DWG. NO.	REV
B		

DRAWN BY	M.HORNER	SCALE: 1:6	SHEET 1 OF 1
----------	----------	------------	--------------

4

3

2

1