

4

3

2

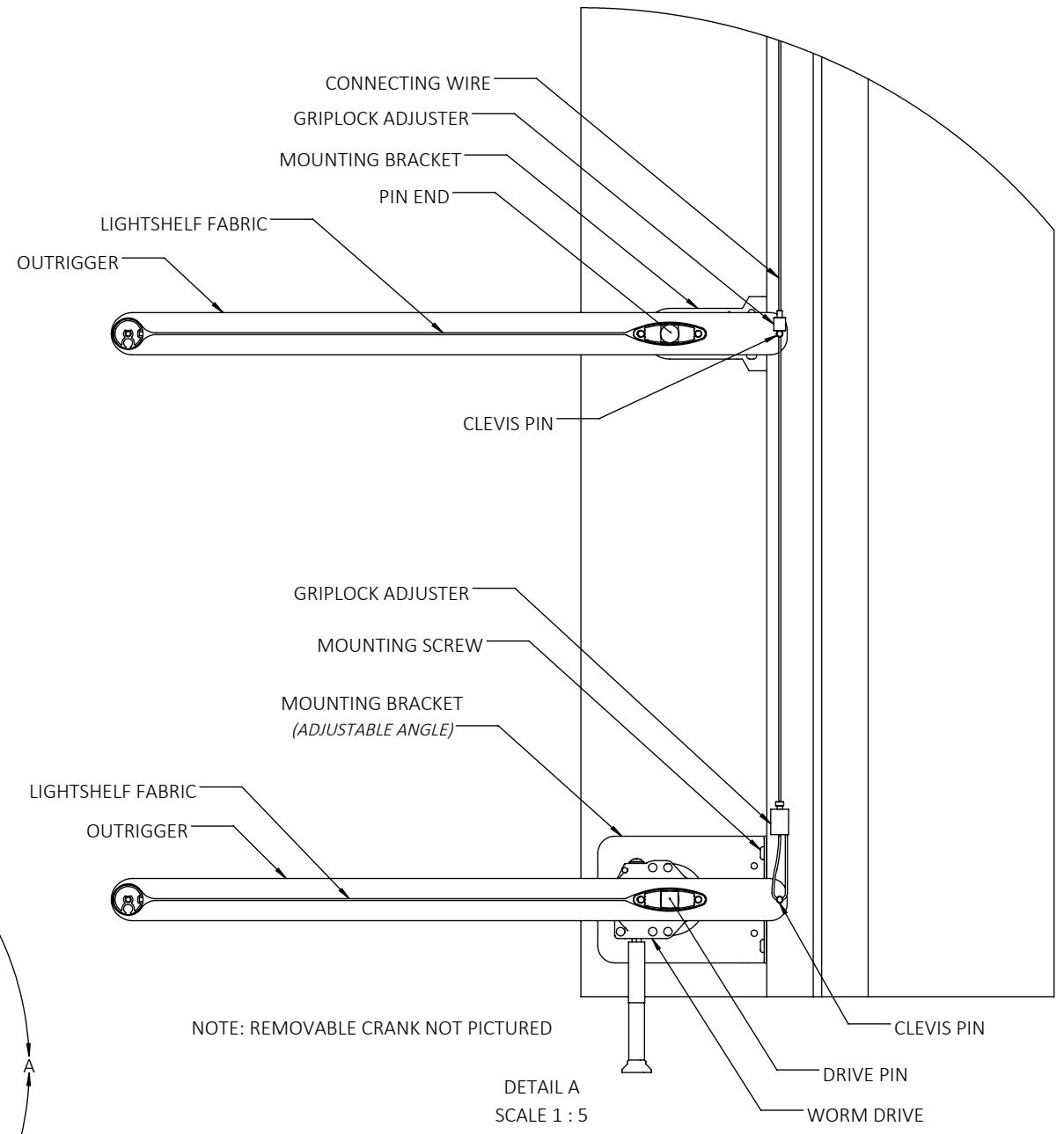
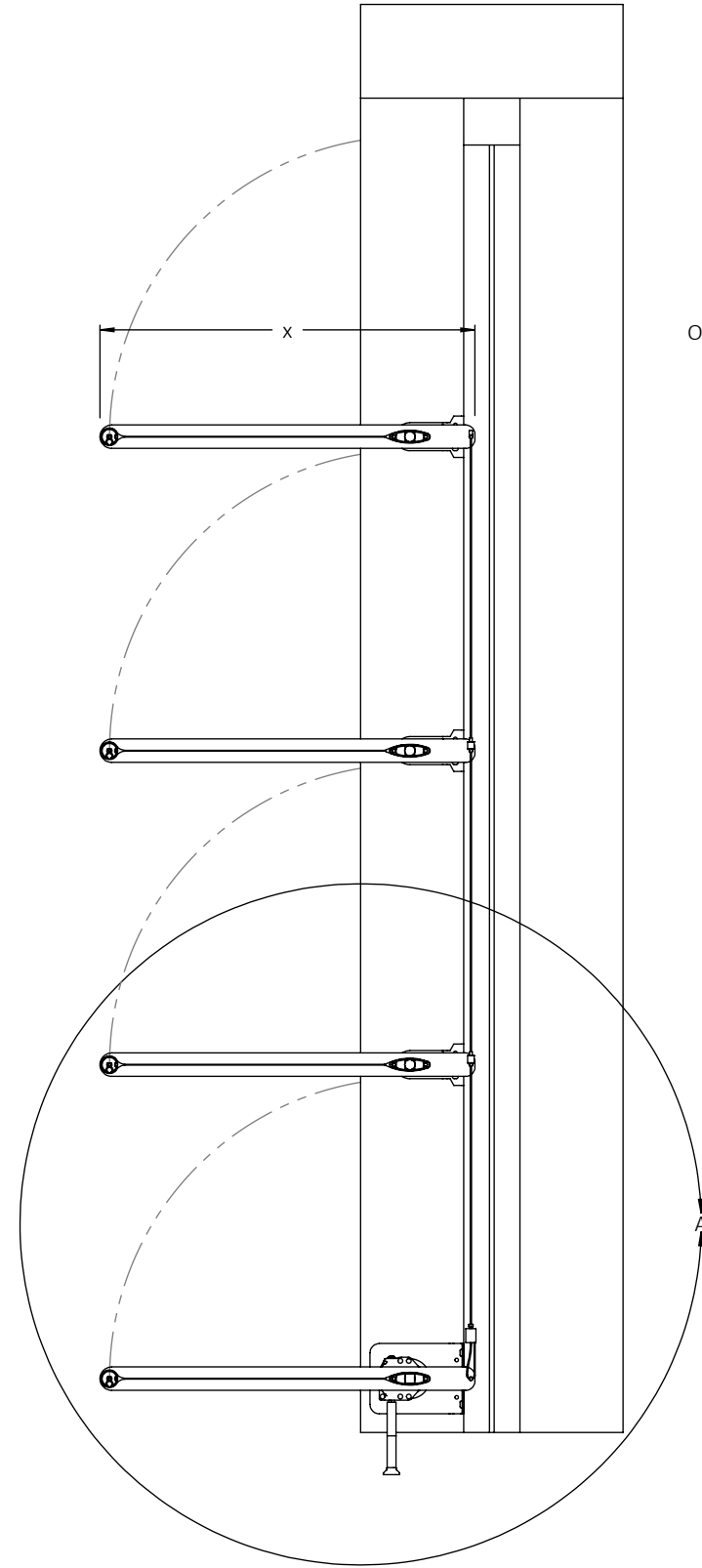
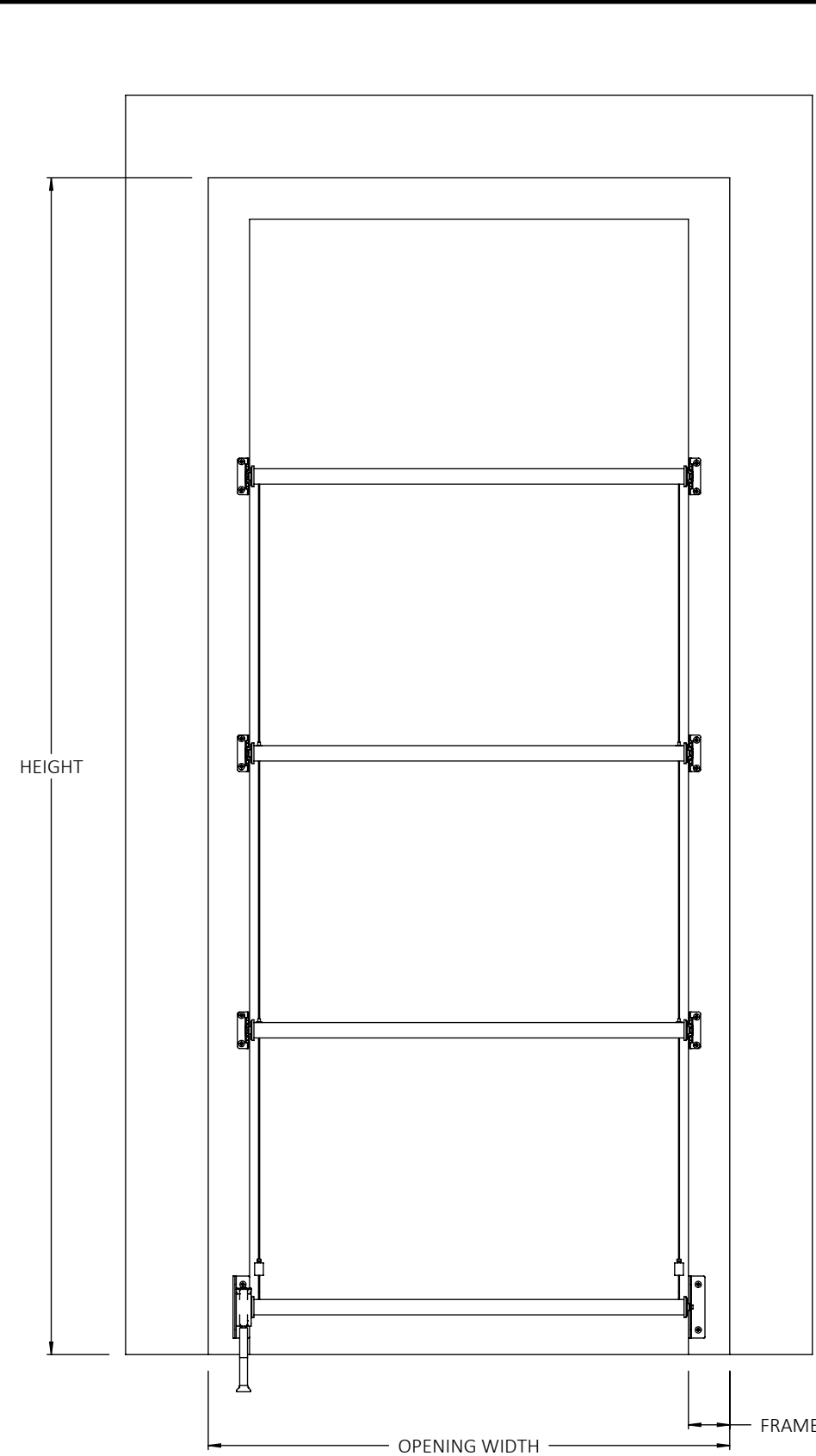
1

B

B

A

A



- NOTES:
1. SHADE MAY BE MOUNTED ON THE JAMB (*INSIDE MOUNT*) OR FACE OF FRAME/MULLION (*FACE MOUNT*)
 2. STANDARD LIGHT SHELF DEPTH IS 16"
- PLEASE SPECIFY IF ALTERNATE DEPTH IS REQUIRED (DIMENSION "X")
 3. **SOLIDWORKS Student Edition.**
FOR MULTIPLE WINDOWS, SIGNATURE CRANK IS REQUIRED FOR EACH WINDOW OR
 4. CRANK IS DETACHABLE FOR USE ON MULTIPLE WINDOWS



WILLIAMSPORT, PA
570.651.5105
WWW.INDOOR-SKY.COM

UNLESS OTHERWISE SPECIFIED:
DIMENSIONS ARE IN INCHES

TOLERANCES:
ANGULAR: $\pm 5^\circ$
FRACTIONAL: $\pm \frac{1}{16}$
X $\pm .015$
XX $\pm .010$
XXX $\pm .005$

TITLE:
SKYLITER STANDARD DETAIL

SIZE B	DWG. NO.	REV
------------------	----------	-----

DRAWN BY M.HORNER	SCALE: 1:10	SHEET 1 OF 1
----------------------	-------------	--------------

4

3

2

1