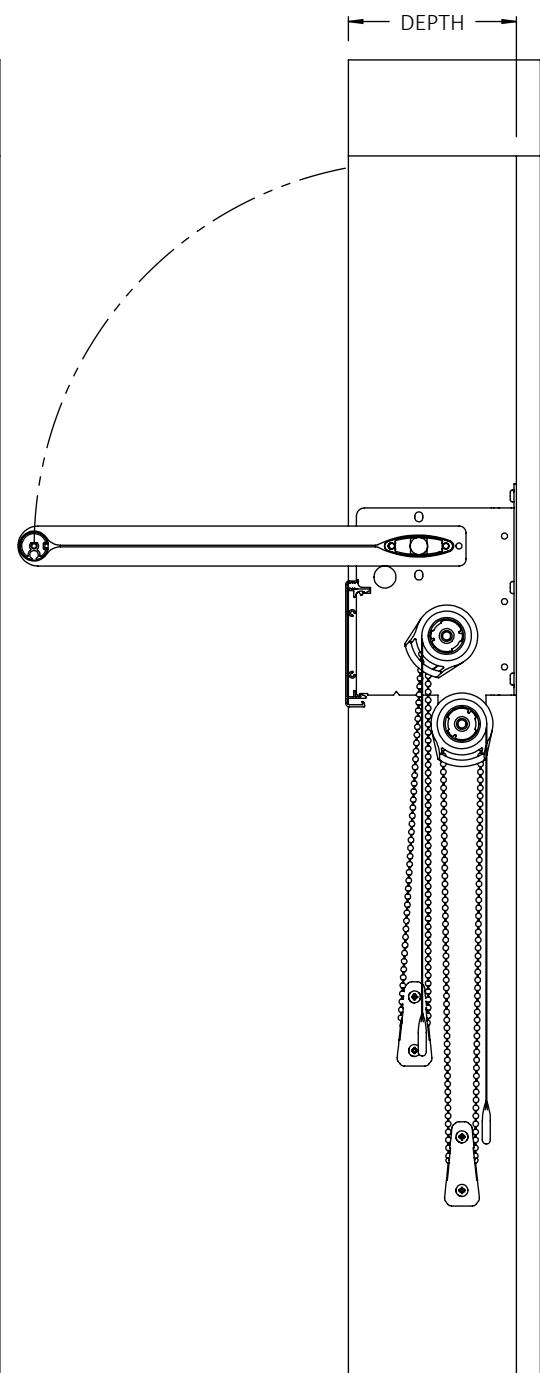
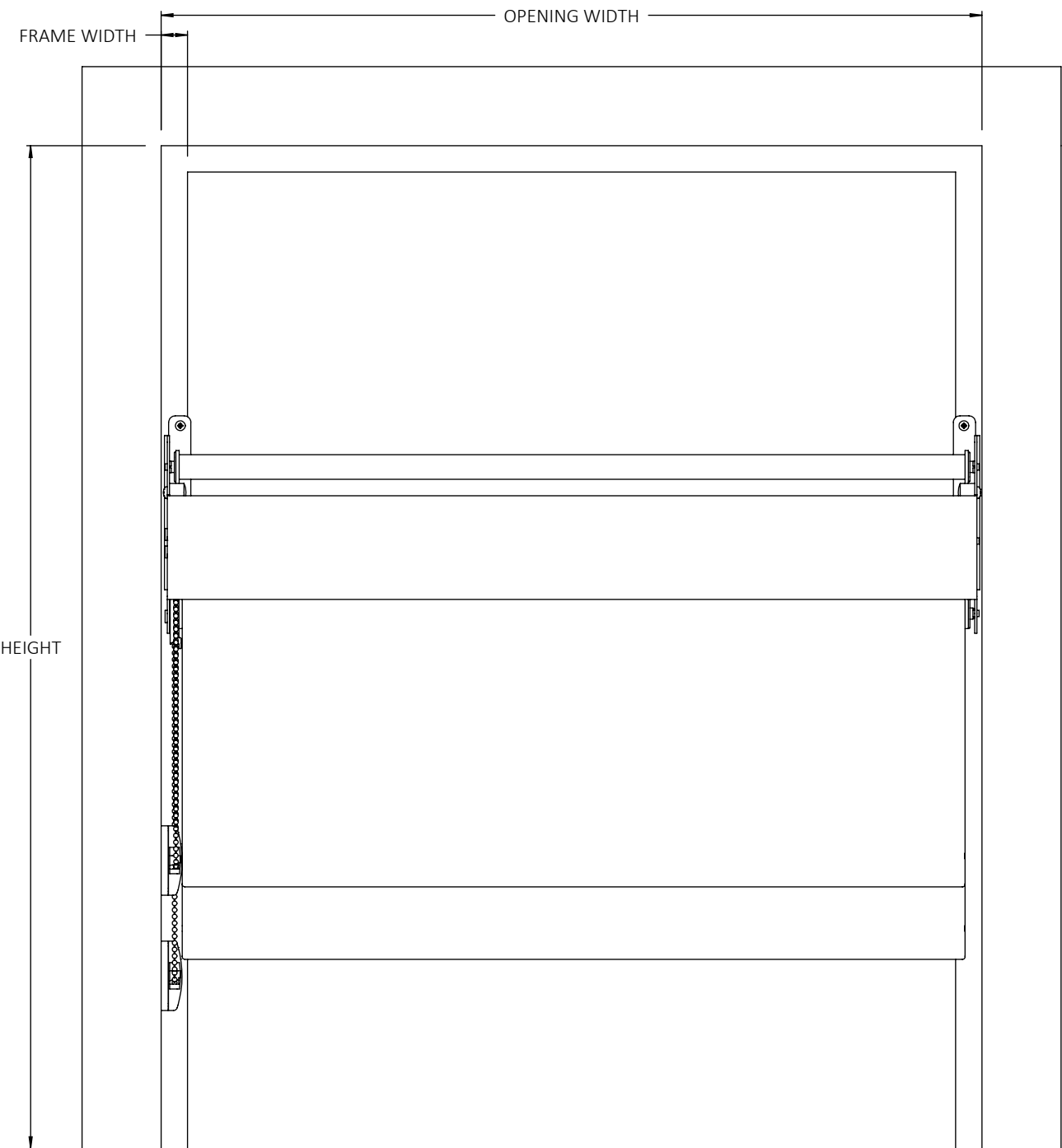


4

3

2

1



LOCATION/ ORIENTATION	QTY	OPENING WIDTH	FRAME WIDTH	HEIGHT	DEPTH	SIDE OF CLUTCH (L/R)

FACE MOUNT

INSIDE MOUNT

COMMENTS:

FABRIC: _____

PATTERN #: _____ COLOR: _____ OPENNESS %: _____

PROJECT LOCATION: _____

SIGNATURE: _____

NOTES:

1. MEASURE WIDTH OF OPENING AT EXACT LOCATION WHERE BRACKETS WILL BE INSTALLED
2. SHADE MAY BE MOUNTED ON THE JAMB (*INSIDE MOUNT*) OR FACE OF FRAME (*FACE MOUNT*)
3. PLEASE SPECIFY DEPTH OF LIGHTSHELF _____ (*DEFAULT IS 16"*)
4. FOR OTHER WINDOW CONFIGURATIONS, SEE PAGE 2

B

B

A

A

SOLIDWORKS Student Edition.
For Academic Use Only.



WILLIAMSPORT, PA
 570.651.5105
 WWW.INDOOR-SKY.COM

UNLESS OTHERWISE SPECIFIED:
 DIMENSIONS ARE IN INCHES

TOLERANCES:
 ANGULAR: ±.5°
 FRACTIONAL: ± 1/16
 X ± .015
 XX ± .010"
 XXX ± .005"

TITLE:
D-SERIES TEAR SHEET

SIZE B	DWG. NO.	REV
------------------	----------	-----

DRAWN BY	M.HORNER	SCALE: 1:6	SHEET 1 OF 2
----------	----------	------------	--------------

4

3

2

1

