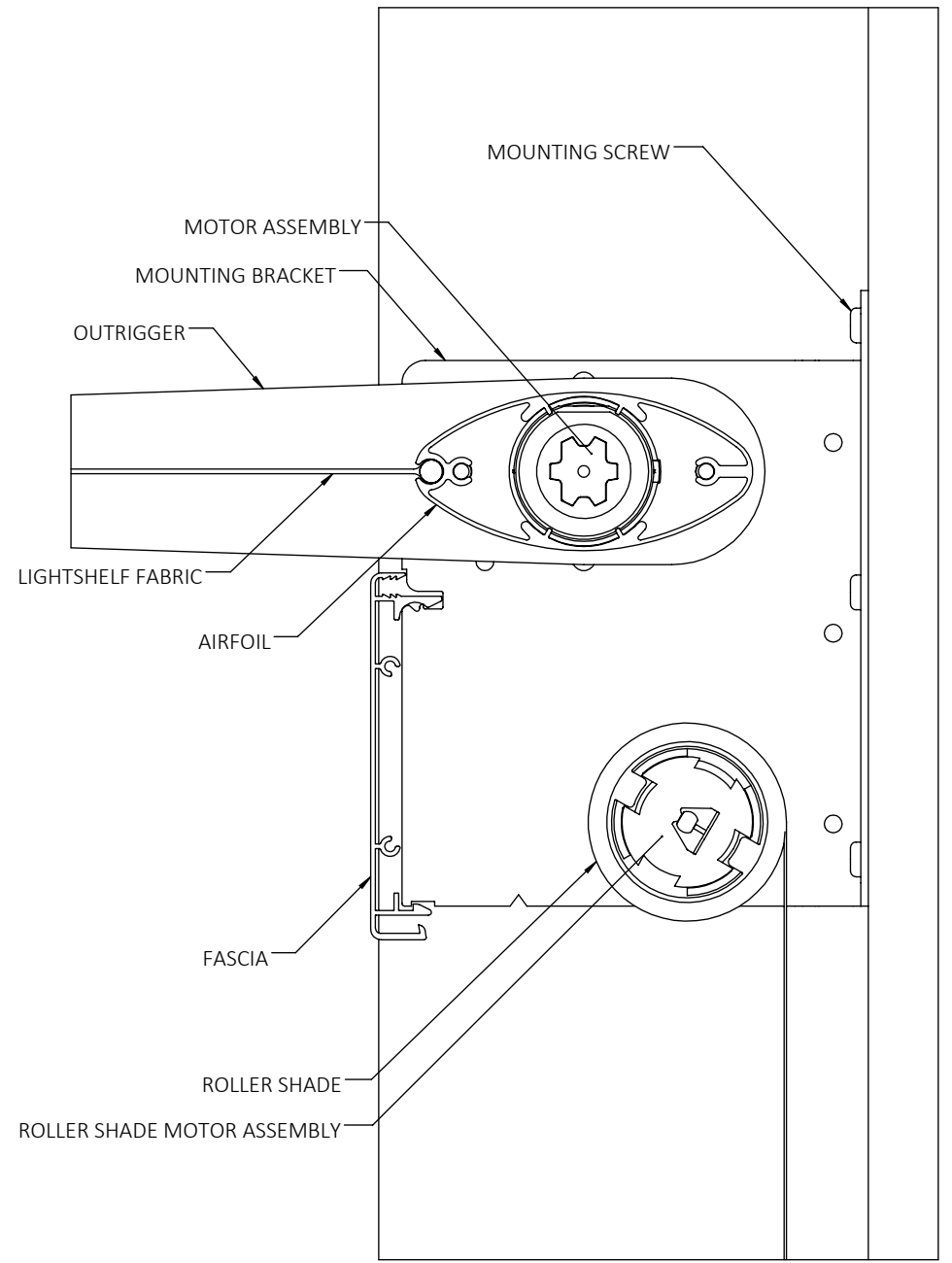
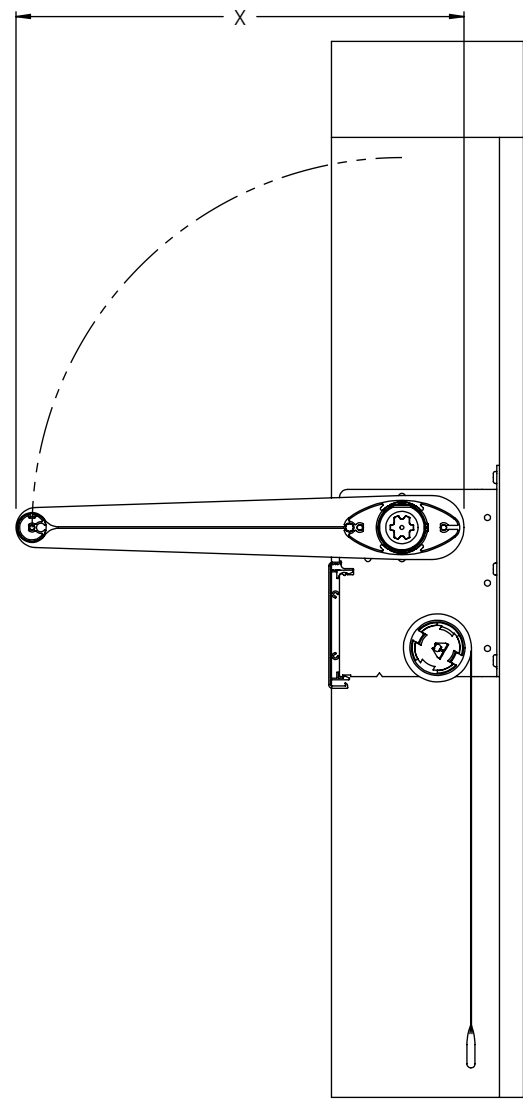
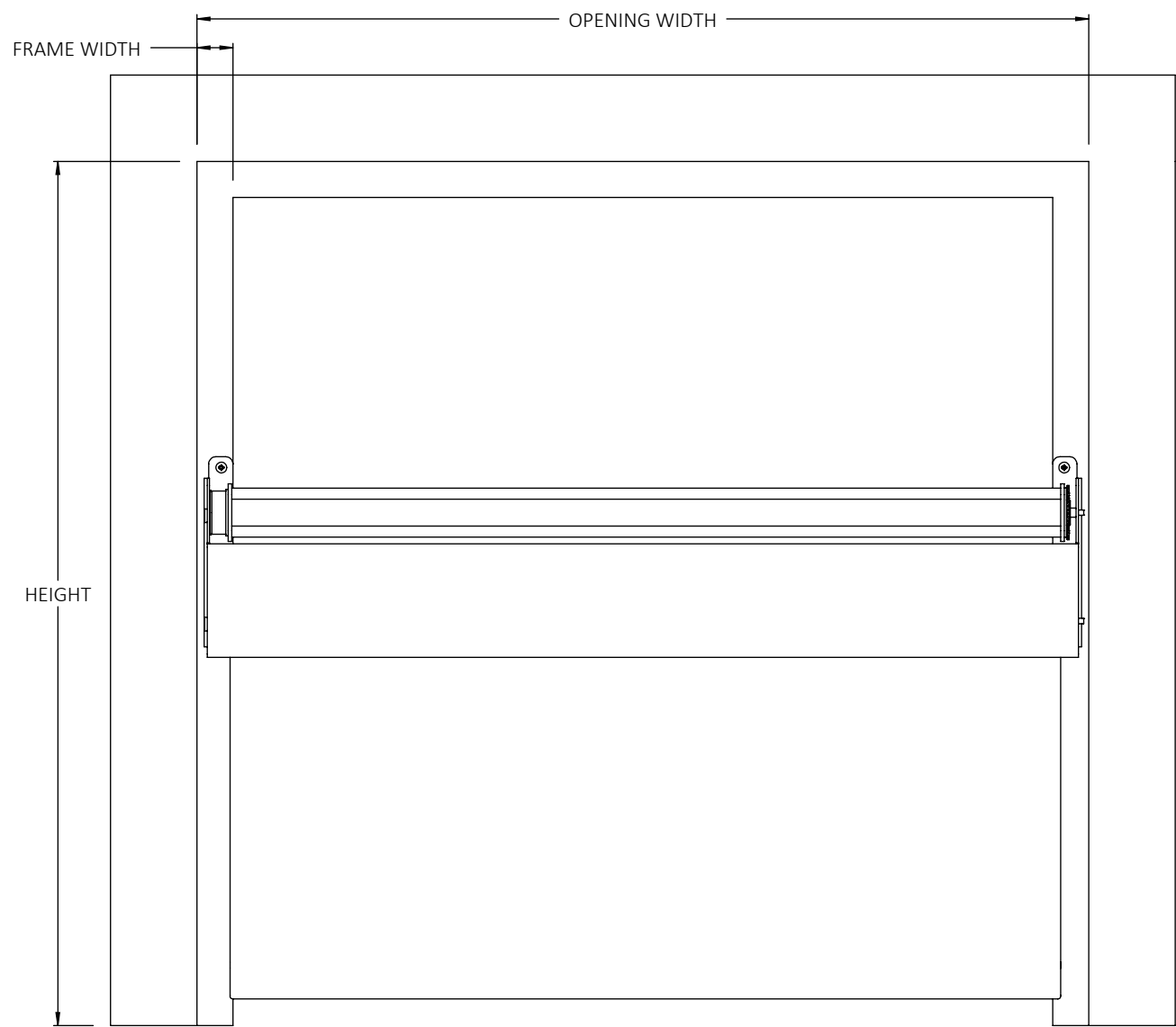


4

3

2


1



NOTES:

- 1. SHADE MAY BE MOUNTED ON THE JAMB (*INSIDE MOUNT*) OR FACE OF FRAME/MULLION (*FACE MOUNT*)
- 2. STANDARD LIGHT SHELF DEPTH IS 16"
- PLEASE SPECIFY IF ALTERNATE DEPTH IS REQUIRED _____ (*DIMENSION "X"*)
- 3. MINIMUM HEIGHT OF LOWEST LIGHTSHELF IS 80" ABOVE FINISHED FLOOR

SOLIDWORKS Student Edition.
For Academic Use Only.

 WILLIAMSPORT, PA 570.651.5105 WWW.INDOOR-SKY.COM	UNLESS OTHERWISE SPECIFIED: DIMENSIONS ARE IN INCHES TOLERANCES: ANGULAR: $\pm .5^\circ$ FRACTIONAL: $\pm \frac{1}{16}$ X $\pm .015$ XX $\pm .010$ " XXX $\pm .005$ "		TITLE: <h3>M-SERIES STANDARD DETAIL</h3>	
	SIZE B	DWG. NO.	REV	SCALE: 1:6
DRAWN BY M.HORNER				

4

3

2

1

B

B

A

A