

4

3

2

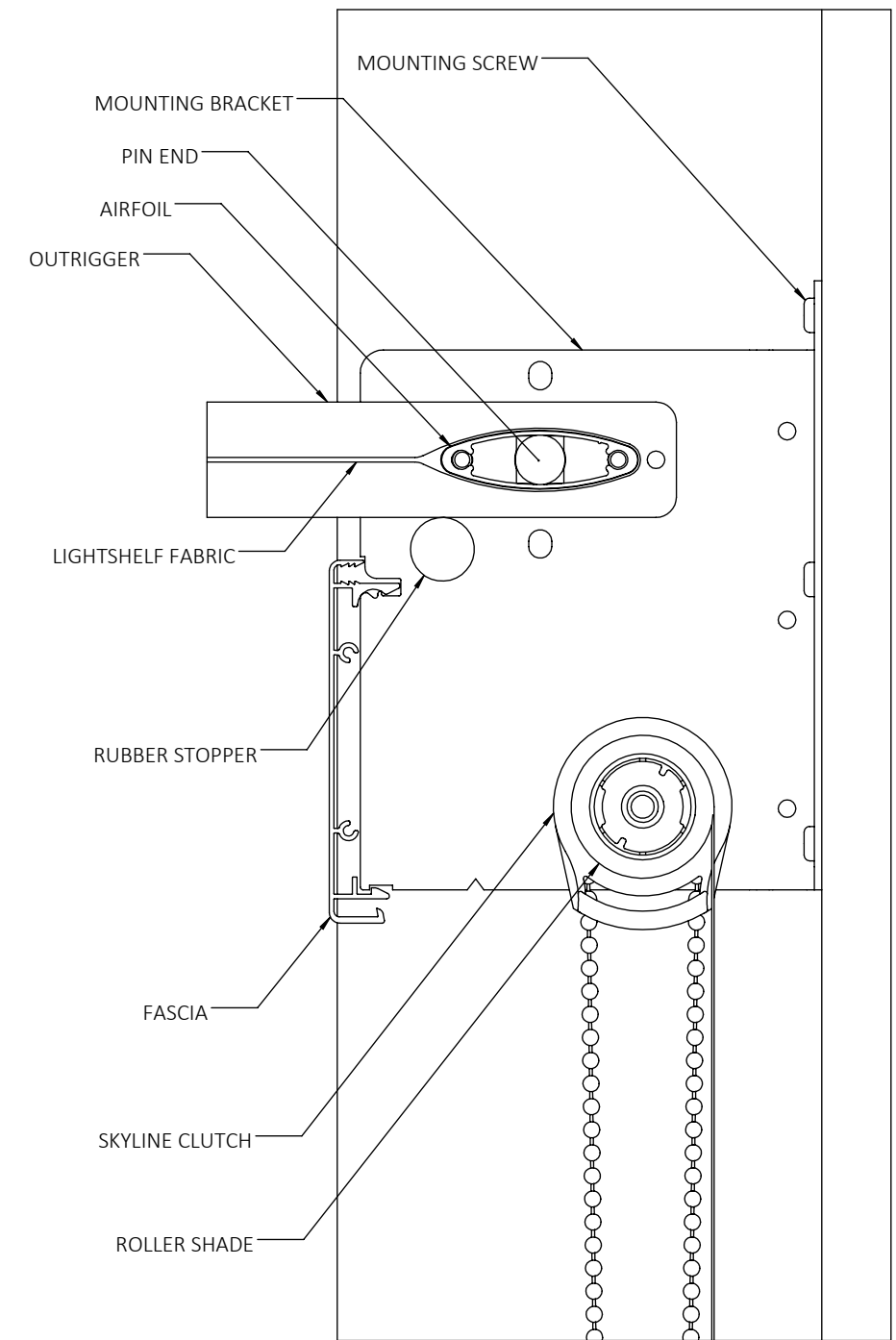
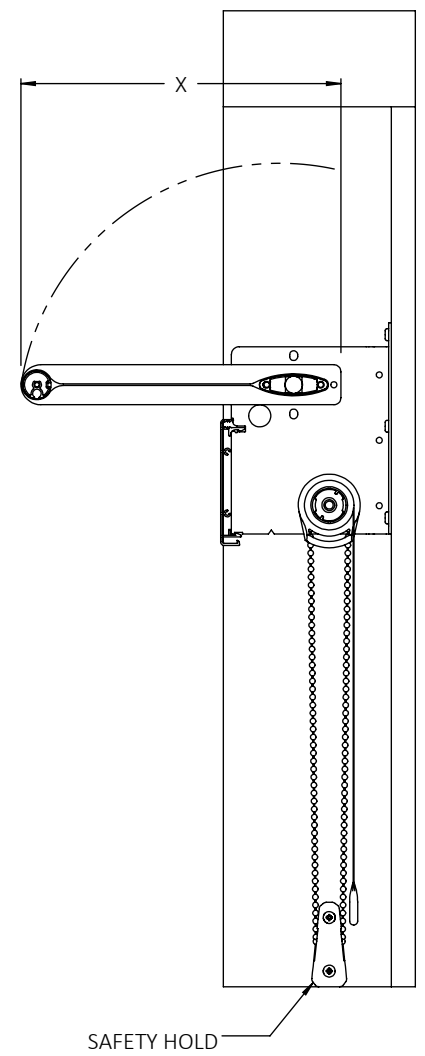
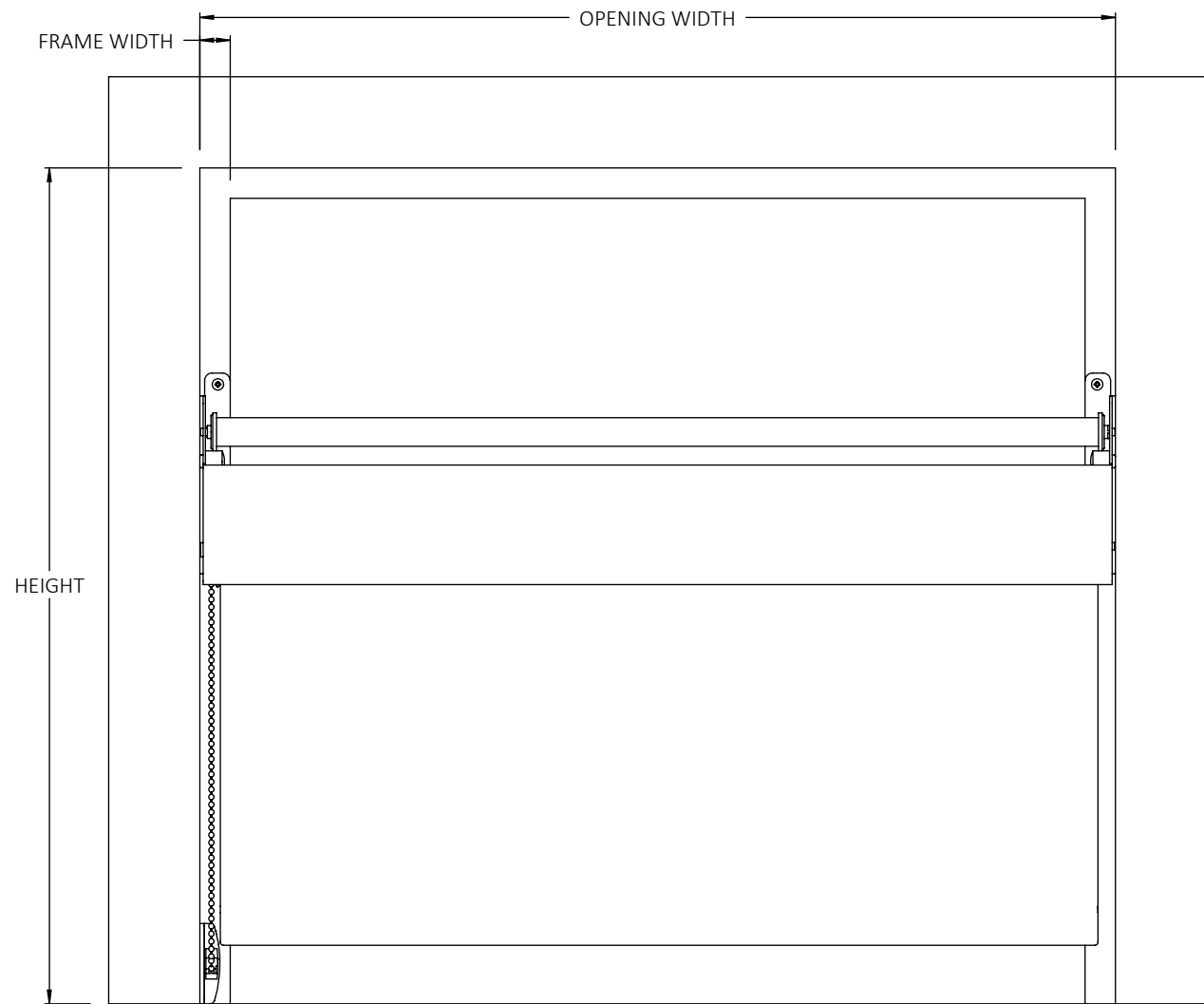
1

B

B

A


A



NOTES:

- 1. SHADE MAY BE MOUNTED ON THE JAMB (*INSIDE MOUNT*) OR FACE OF FRAME/MULLION (*FACE MOUNT*)
- 2. STANDARD LIGHT SHELF DEPTH IS 16"  
- PLEASE SPECIFY IF ALTERNATE DEPTH IS REQUIRED \_\_\_\_\_ (*DIMENSION "X"*)
- 3. MINIMUM HEIGHT OF LOWEST LIGHTSHELF IS 80" ABOVE FINISHED FLOOR
- 4. CRANK MAY BE SUPPLIED LOOSE FOR USE ON MULTIPLE WINDOWS

**SOLIDWORKS Student Edition.**  
**For Academic Use Only.**

 WILLIAMSPORT, PA 570.651.5105 WWW.INDOOR-SKY.COM	UNLESS OTHERWISE SPECIFIED: DIMENSIONS ARE IN INCHES  TOLERANCES: ANGULAR: $\pm .5^\circ$ FRACTIONAL: $\pm \frac{1}{16}$ X $\pm .015$ XX $\pm .010$ " XXX $\pm .005$ "		TITLE:  <h3>SF STANDARD DETAIL</h3>	
	DRAWN BY: M.HORNER	SIZE: <b>B</b>	DWG. NO.	REV
SCALE: 1:6		SHEET 1 OF 1		

4

3

2

1