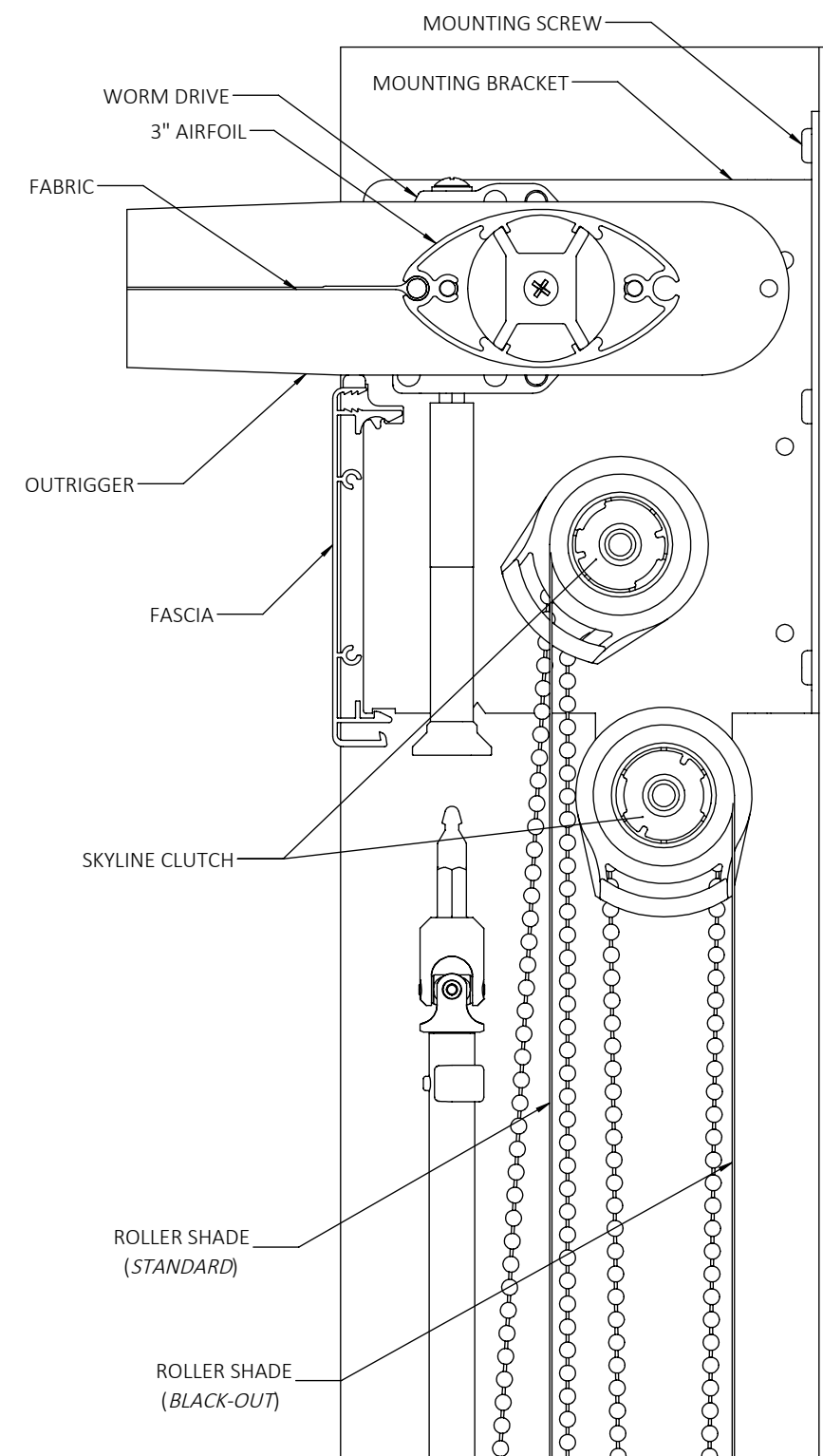
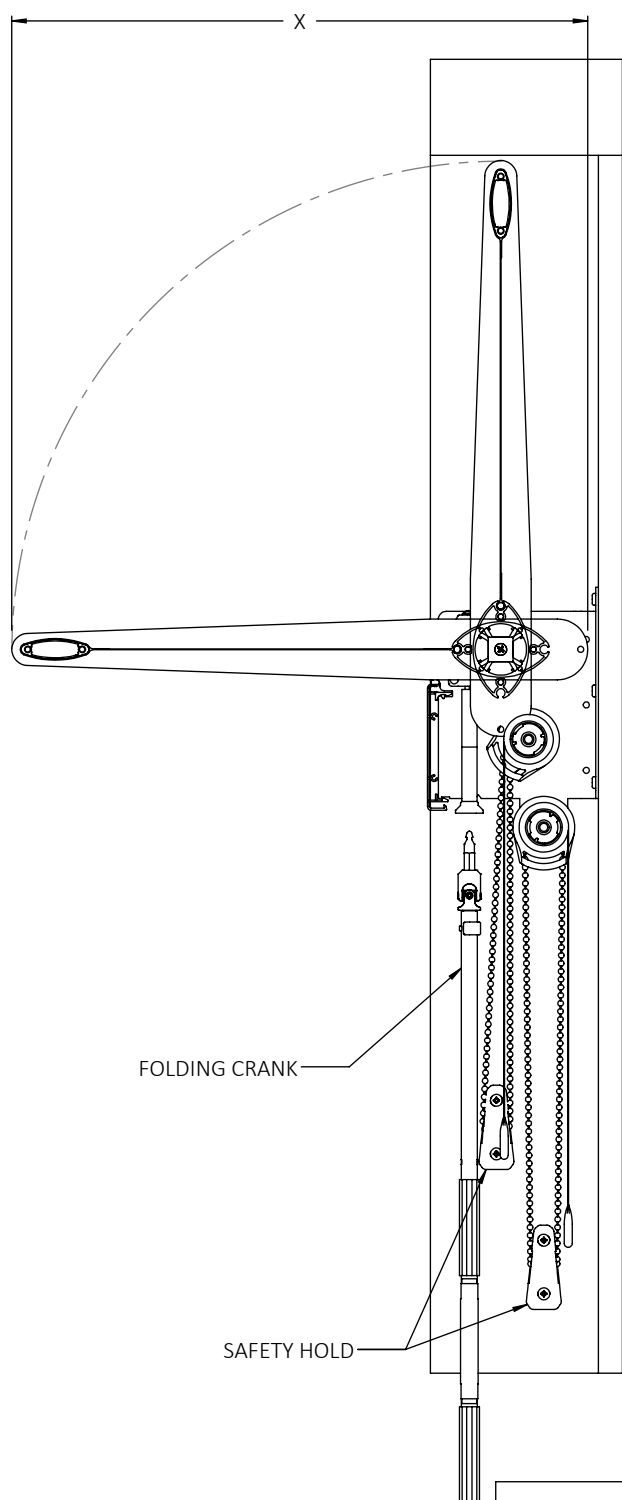
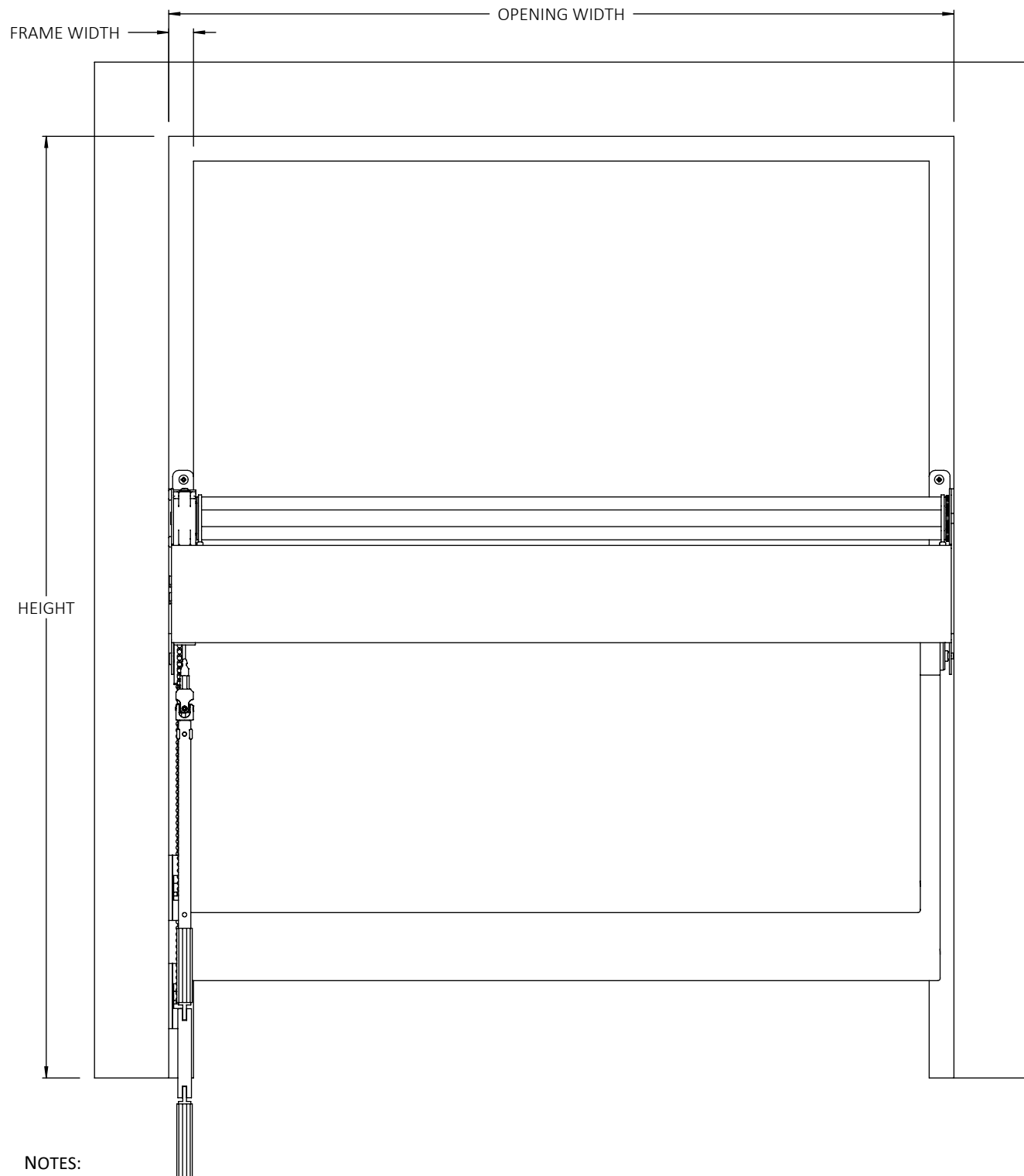


4

3

2

1



B

B

A

A

NOTES:

- 1. SHADE MAY BE MOUNTED ON THE JAMB (*INSIDE MOUNT*) OR FACE OF FRAME/MULLION (*FACE MOUNT*)
- 2. STANDARD LIGHT SHELF DEPTH IS 16"
- PLEASE SPECIFY IF ALTERNATE DEPTH IS REQUIRED _____ (*DIMENSION "X"*)
- 3. MINIMUM HEIGHT OF LOWEST LIGHTSHELF IS 80" ABOVE FINISHED FLOOR
- 4. CRANK MAY BE SUPPLIED LOOSE FOR USE ON MULTIPLE WINDOWS



WILLIAMSPORT, PA
570.651.5105
WWW.INDOOR-SKY.COM

UNLESS OTHERWISE SPECIFIED:
DIMENSIONS ARE IN INCHES

TOLERANCES:
ANGULAR: ±.5°
FRACTIONAL: ± 1/16
X ± .015
XX ± .010"
XXX ± .005"

TITLE:

DW STANDARD DETAIL

SIZE	DWG. NO.	REV
B		

DRAWN BY	M.HORNER	SCALE: 1:6	SHEET 1 OF 1
----------	----------	------------	--------------

4

3

2

1