

4

3

2

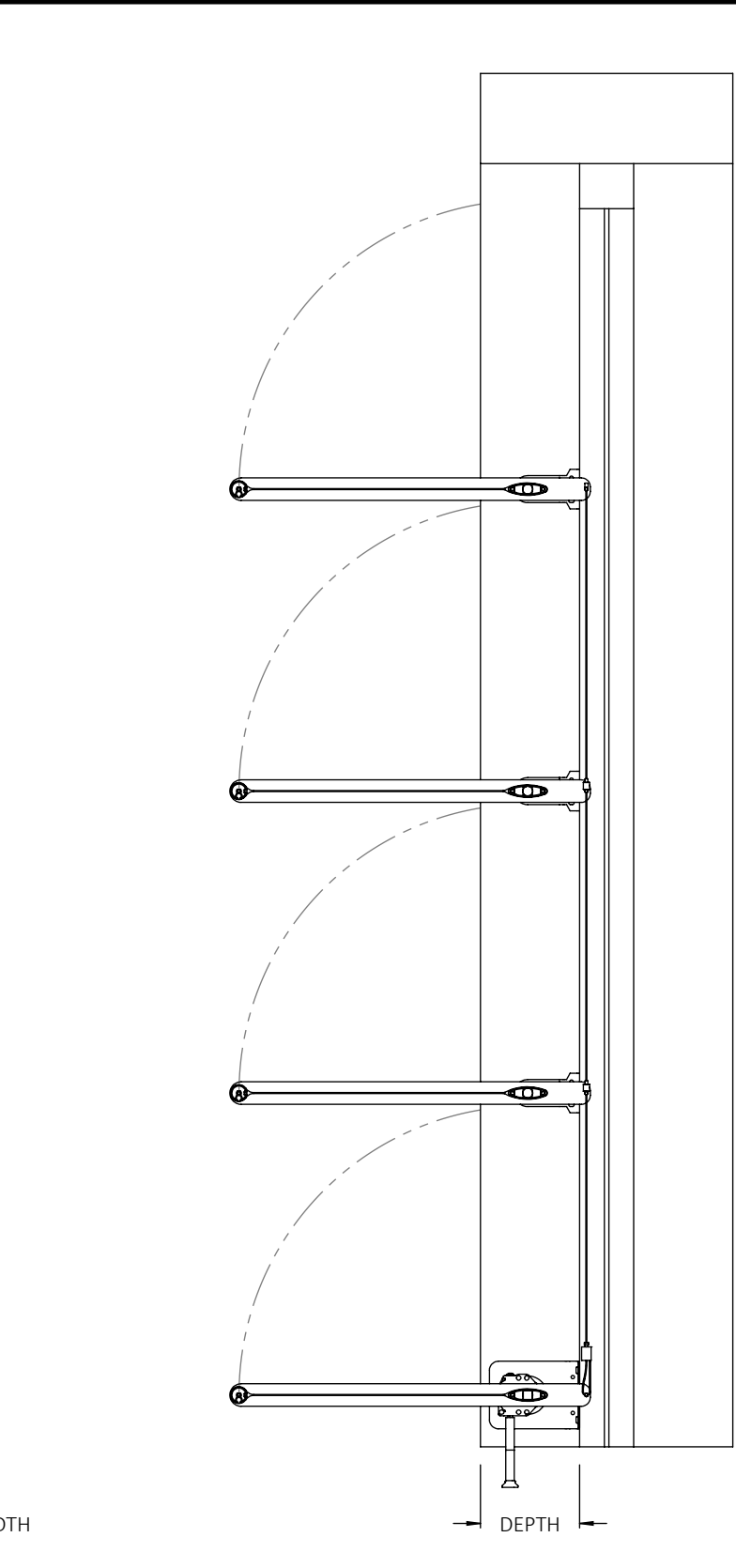
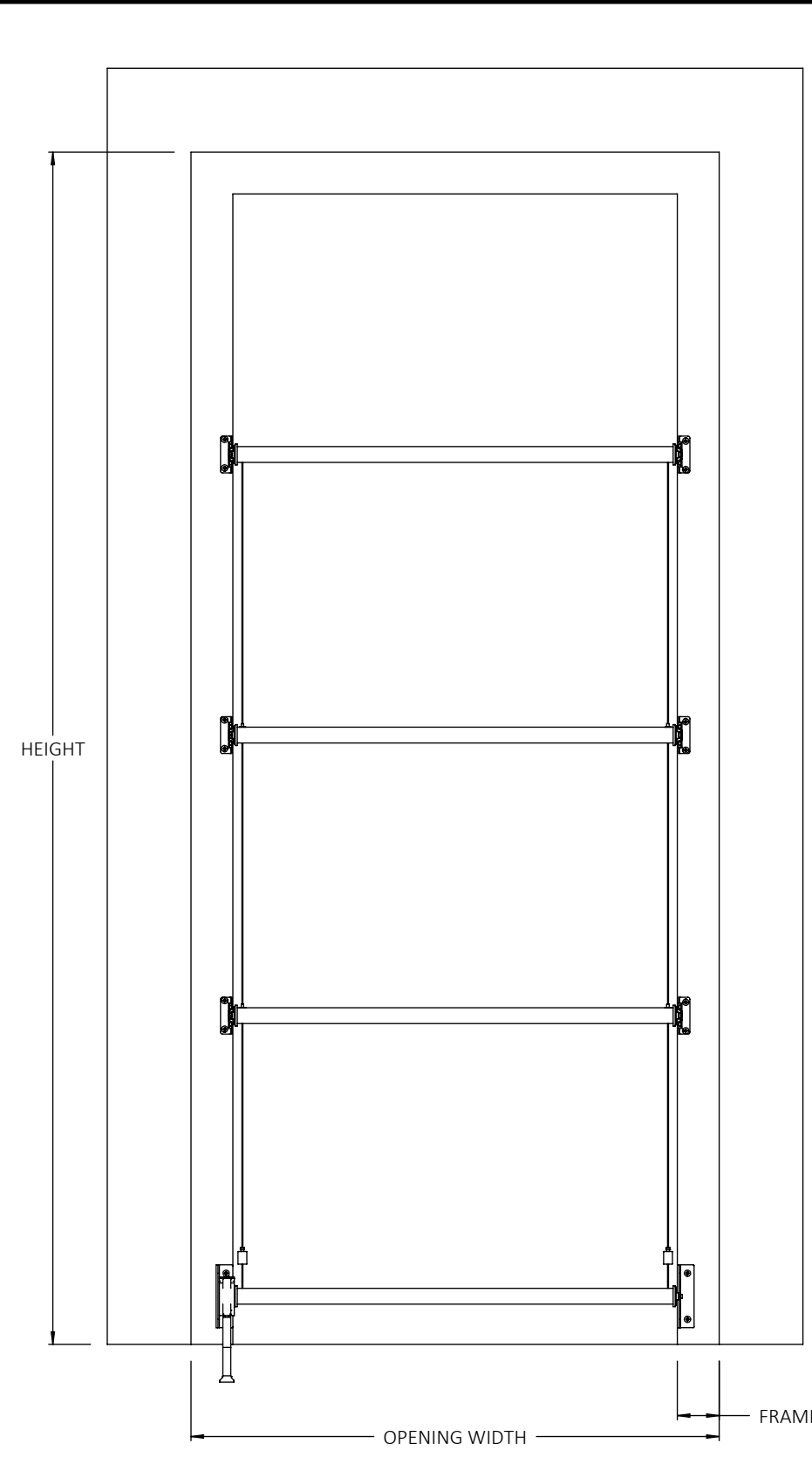
1

B

B

A

A



LOCATION/ ORIENTATION	QTY	OPENING WIDTH	FRAME WIDTH	HEIGHT	DEPTH	HEIGHT ABOVE FLOOR

FACE MOUNT

INSIDE MOUNT

COMMENTS:

FABRIC: _____

PATTERN #: _____ COLOR: _____ OPENNESS %: _____

PROJECT: _____

SIGNATURE: _____

- NOTES:
1. MEASURE WIDTH OF OPENING AT EXACT LOCATION WHERE BRACKETS WILL BE INSTALLED
 2. SHADE MAY BE MOUNTED ON THE JAMB (INSIDE MOUNT) OR FACE OF FRAME (FACE MOUNT)
 3. PLEASE SPECIFY DEPTH OF LIGHTSHELF (DEFAULT DEPTH IS 16")
 4. FOR ORDERING INFORMATION, VISIT US AT WWW.INDOOR-SKY.COM

SOLIDWORKS Student Edition.
For Academic Use Only.



WILLIAMSPORT, PA
570.651.5105
WWW.INDOOR-SKY.COM

UNLESS OTHERWISE SPECIFIED:
DIMENSIONS ARE IN INCHES

TOLERANCES:
ANGULAR: ±.5°
FRACTIONAL: ± 1/16
X ± .015
XX ± .010"
XXX ± .005"

TITLE: SKYLITER TEAR SHEET		
SIZE B	DWG. NO.	REV
DRAWN BY M.HORNER	SCALE: 1:10	SHEET 1 OF 2

4

3

2

1

4

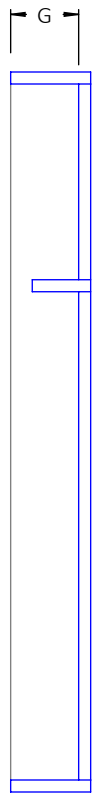
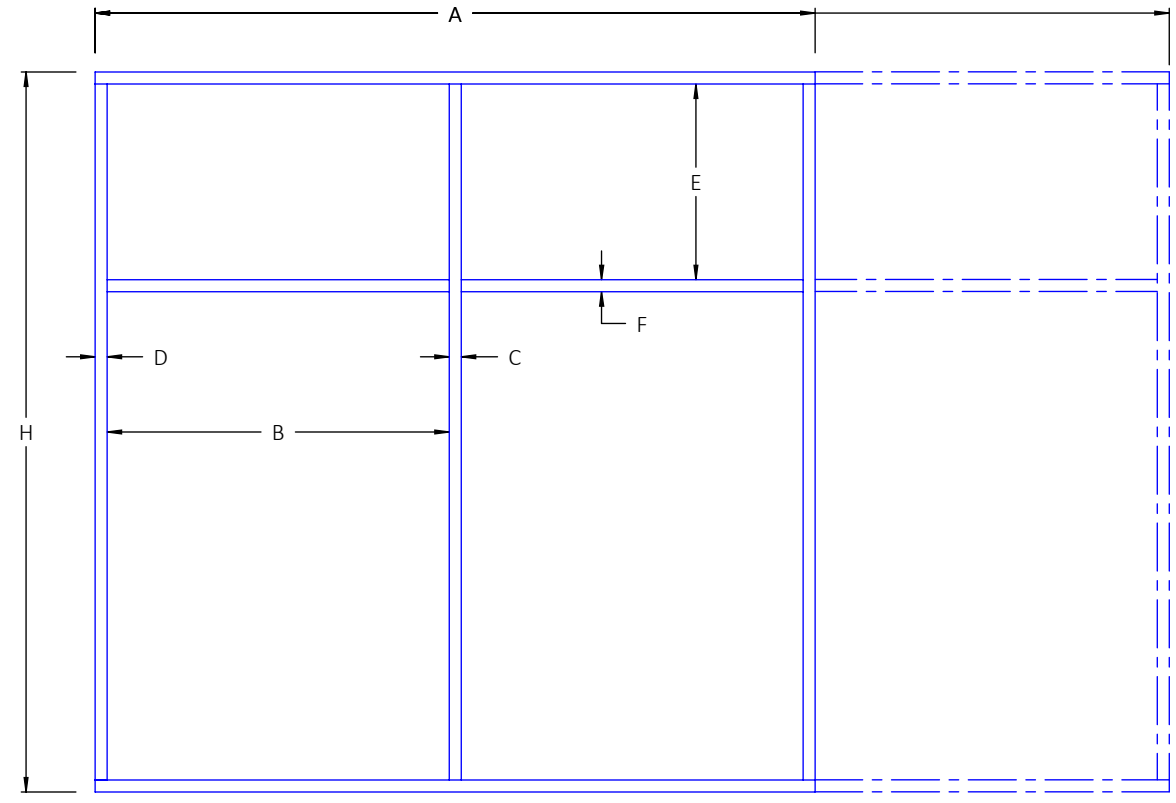
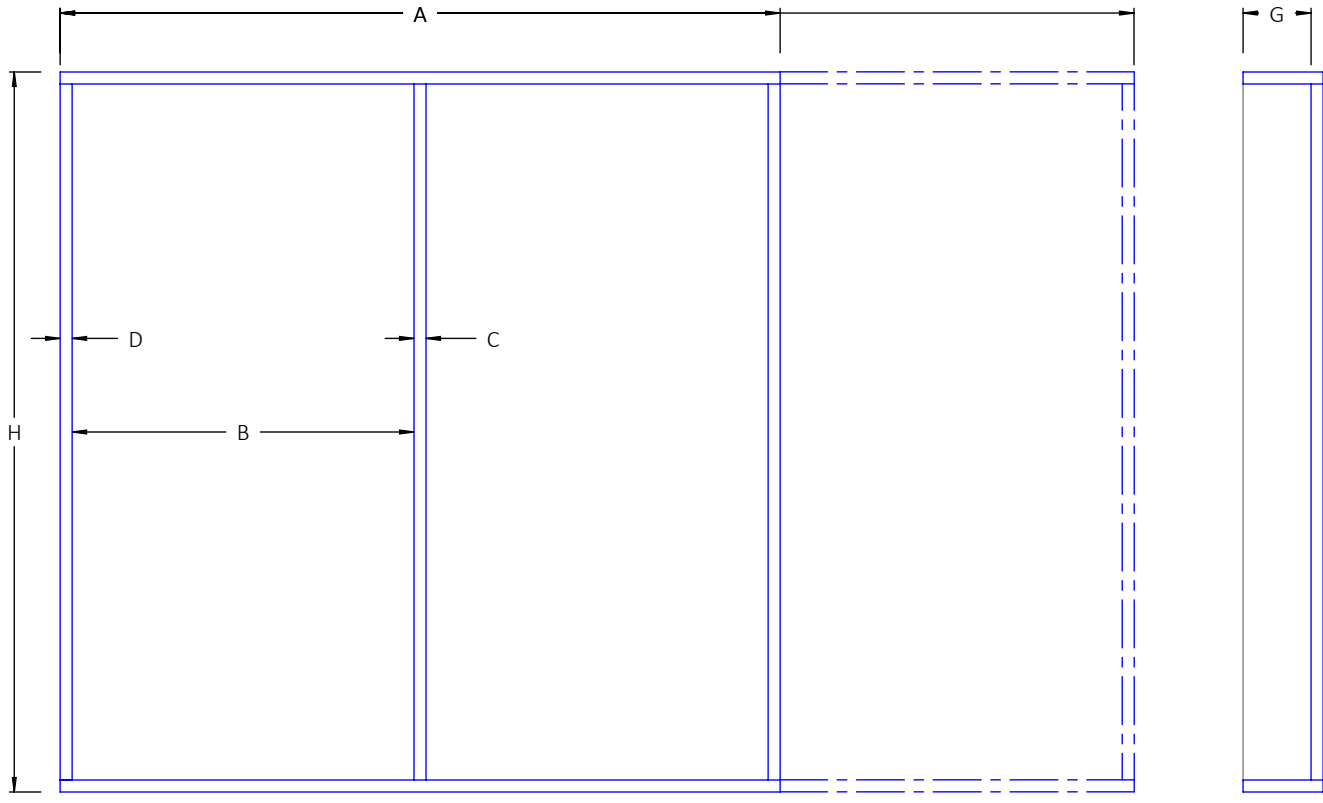
3

2

1

B

B



(FLOOR)

A

A

		A	B	C	D	E	F	G	H	I
LOCATION/ ORIENTATION	QTY	OPENING WIDTH	INSIDE MULLION WIDTH	MULLION THICKNESS	FRAME THICKNESS	CLERESTORY HEIGHT	TRANSOM THICKNESS	JAMB DEPTH	HEIGHT	HEIGHT ABOVE FLOOR

**SOLIDWORKS Student Edition.
For Academic Use Only.**



WILLIAMSPORT, PA
570.651.5105
WWW.INDOOR-SKY.COM

UNLESS OTHERWISE SPECIFIED:
DIMENSIONS ARE IN INCHES

TOLERANCES:
ANGULAR: $\pm 5^\circ$
FRACTIONAL: $\pm \frac{1}{16}$
X $\pm .015$
XX $\pm .010$ "
XXX $\pm .005$ "

TITLE:
SKYLITER TEAR SHEET

SIZE B	DWG. NO.	REV
------------------	----------	-----

DRAWN BY	M.HORNER	SCALE: 1:6	SHEET 2 OF 2
----------	----------	------------	--------------

4

3

2

1